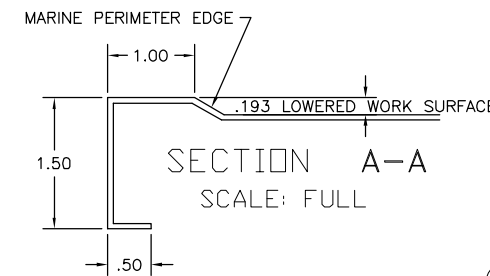


(1) 16.0" x 30.0" x 10.5" DP SINK w/ ETCHED GALLON MARKINGS

RECESSED SURGISONIC SHELF

UTILITY REQUIREMENTS

- (CW) — COLD WATER - (2) @ 1/2" NPT (FLEX LINE BY OTHERS)
- (HW) — HOT WATER - (2) @ 1/2" NPT (FLEX LINE BY OTHERS)
- (DI) — DI/RO WATER - (1) @ 1/2" NPT (FLEX LINE BY OTHERS)
- (CA) — COMPRESSED AIR - (2) @ 3/4" NPT (FLEX LINE BY OTHERS)
- (D) — DRAIN - (2) @ 1-1/2" NPT
- (E) — ELECTRICAL - (2) "E1, E2" - 115 V., 1 PH., 60 Hz., 15 AMP (3-PRONG GROUNDED PLUG)



**FOR APPROVAL ONLY**

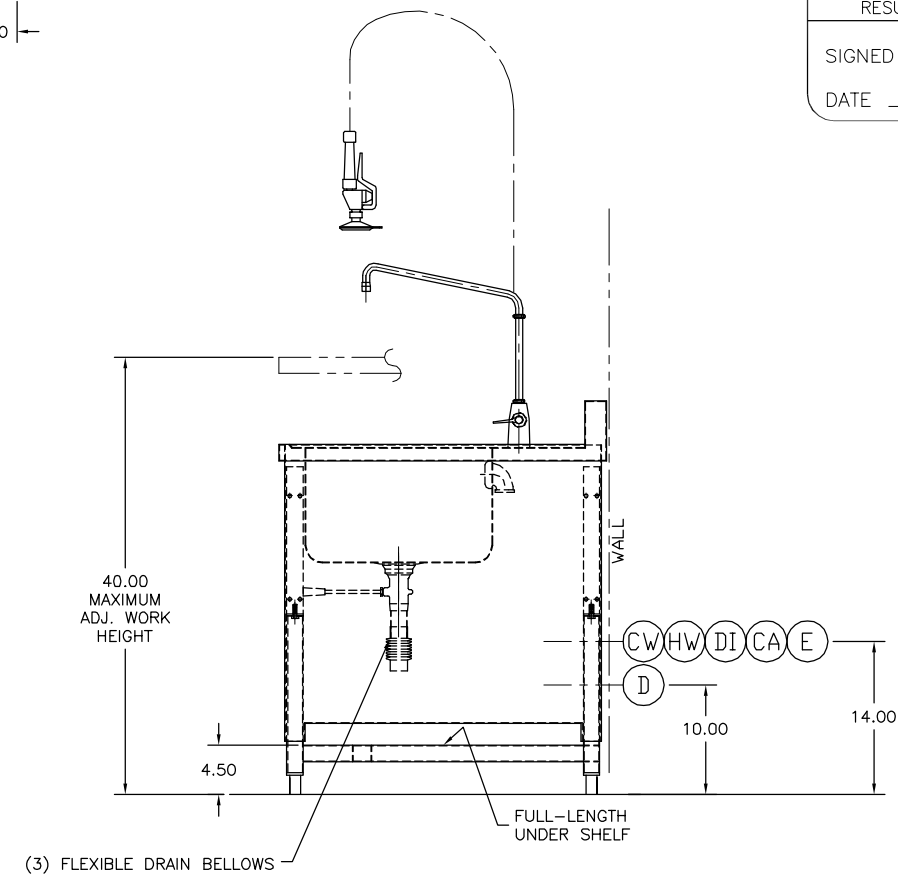
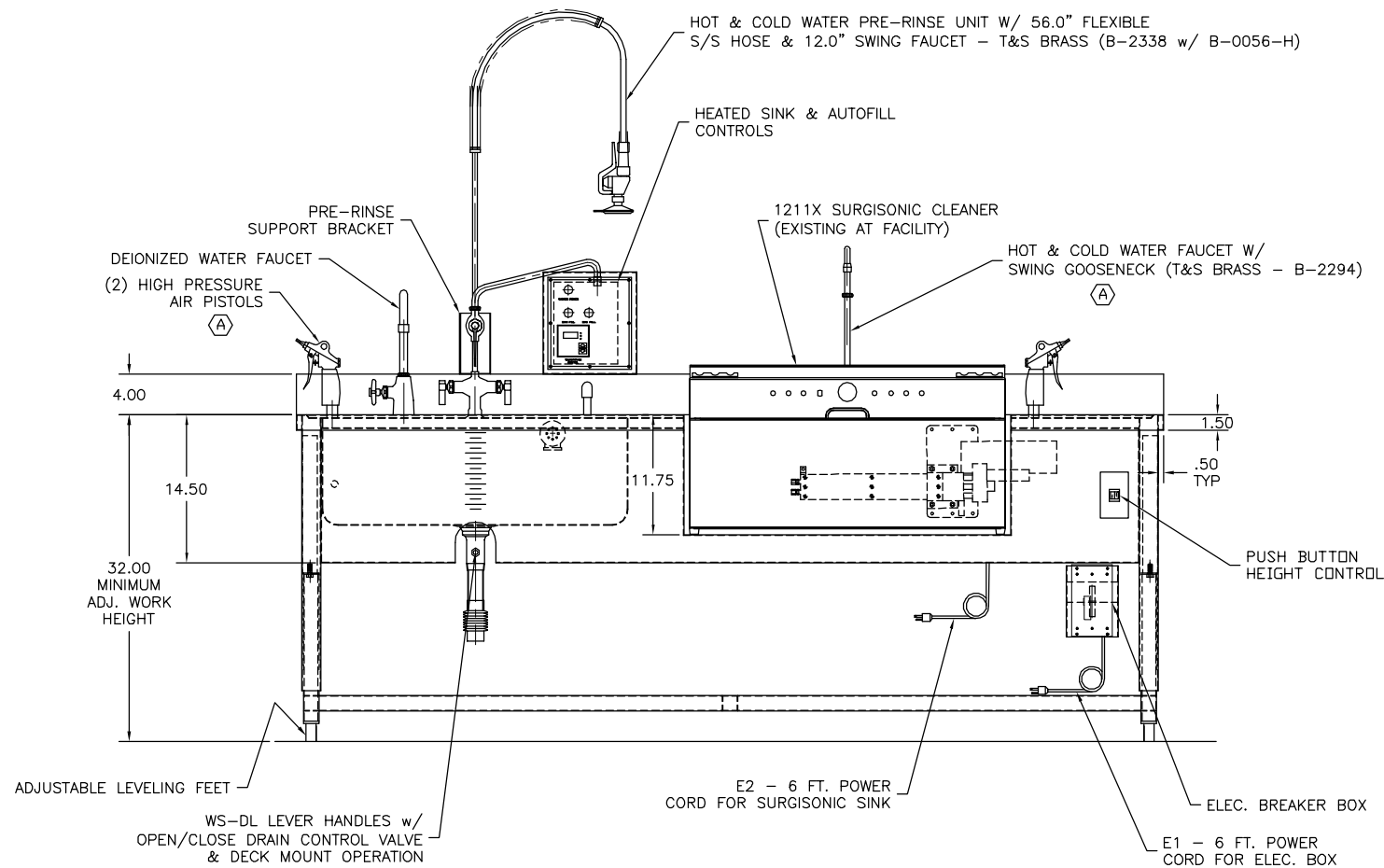
ONE (1) SET OF APPROVAL PRINTS MUST BE SIGNED AND RETURNED TO TBJ INC. BEFORE EQUIPMENT CAN BE RELEASED FOR PRODUCTION

APPROVED AS DRAWN FOR FABRICATION

NOT APPROVED - REVISE & RESUBMIT FOR FINAL APPROVAL

SIGNED \_\_\_\_\_

DATE \_\_\_\_\_



NOTES: 1) MAX. OVERALL DIMENSIONS MUST BE CONSIDERED FOR BUILDING ENTRY.

UNLESS OTHERWISE SPECIFIED		A	ADDED SPRAY GUN, UPDATED FAUCET & PRE-RINSE	SMH	12/17/20
TOLERANCES IN INCHES: FRACTIONAL ± 1/32 ANGULAR ± 0°25' ONE DECIMAL ± 0.063 TWO DECIMAL ± 0.031 THREE DECIMAL ± 0.015		LET	REVISION	BY	DATE
				1671 ORCHARD DRIVE CHAMBERSBURG, PA 17201 Phone: (717) 261-9700 www.tbjinc.com	
		SCALE	N.T.S.	DRAWN BY	SMH
		REF DWG -	R16170	DATE	10-6-20
PRDD. RELEASE	-	30-85-1B WS-AH WORK SINK			
APPR. RELEASE	-	ROUGH-IN ASSEMBLY			
REVIEWED BY	-	R20272			
ENG APPR.	-				