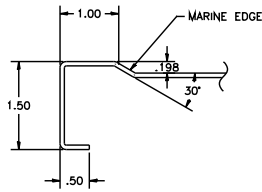
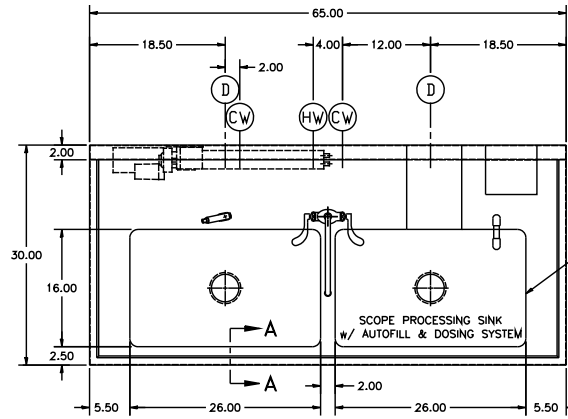
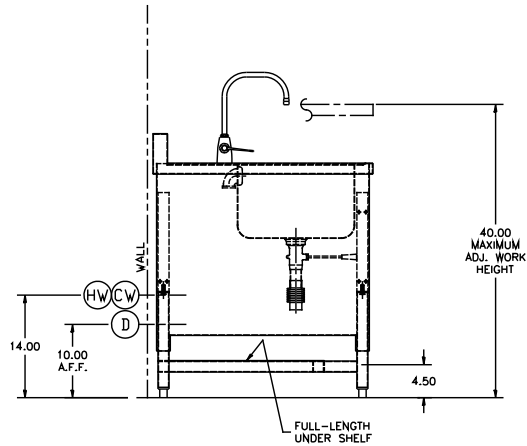


UTILITY REQUIREMENTS

- (CW) COLD WATER - (2) @ 1/2" NPT
- (HW) HOT WATER - (1) @ 1/2" NPT
- (D) DRAIN - (2) @ 1-1/2" NPT
- (E) ELECTRICAL - 115 V., 1 PH., 60 Hz., 15 AMP

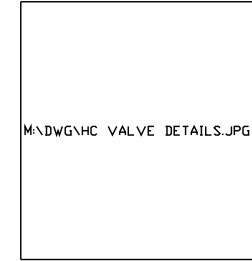


SECTION A-A

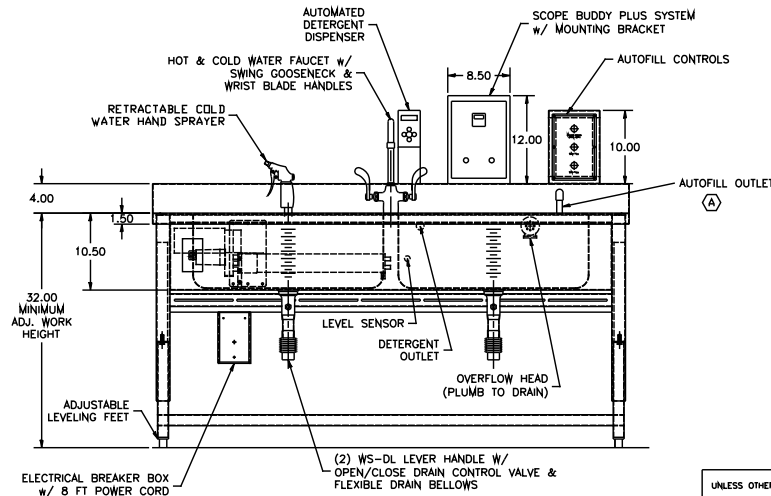


(2) 16.0 x 26.0 x 10.0 DP SINK
w/ ETCHED GALLON MARKS

FOR APPROVAL ONLY	
ONE (1) SET OF APPROVAL PRINTS MUST BE SIGNED AND RETURNED TO T&J INC. BEFORE EQUIPMENT CAN BE RELEASED FOR PRODUCTION	
<input type="checkbox"/>	APPROVED AS DRAWN FOR FABRICATION
<input type="checkbox"/>	NOT APPROVED - REVISE & RESUBMIT FOR FINAL APPROVAL
SIGNED _____	
DATE _____	



H/C VALVE DETAILS



UNLESS OTHERWISE SPECIFIED		A	UPDATED AUTOFILL SETUP	SMH	10/23/20
LET	REVISION	BY	DATE		
TOLERANCES IN INCHES: FRACTIONAL ± 1/32 ANGULAR ± 0.25° ONE DECIMAL ± 0.063 TWO DECIMAL ± 0.031 THREE DECIMAL ± 0.015		1671 ORCHARD DRIVE CHAMBERSBURG, PA 17201 Phone: (717) 261-9700 #t&jinc.com			
SCALE	NIS	3511-1	DRAWN BY	SMH	
REF DWG	R19293	DATE	7-9-20		
NAME	DATE				
PROD. RELEASE	SMH	10/28/20	30-65-2B SPCS-AH SCOPE PROCESSING SINK		
APPR. RELEASE	JH	9/29/20			
REVIEWED BY			ROUGH-IN ASSEMBLY	R20195	
ENG APPR.					

(B)