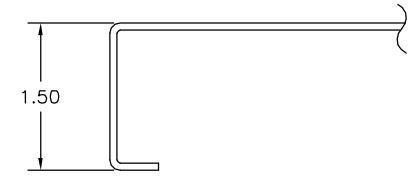


UTILITY REQUIREMENTS

(E) — ELECTRICAL — 115 V., 1 PH., 60 Hz., 15 AMP  
(FOR 3-PRONG GROUNDED PLUG)



SECTION A-A  
SCALE: FULL

**FOR APPROVAL ONLY**

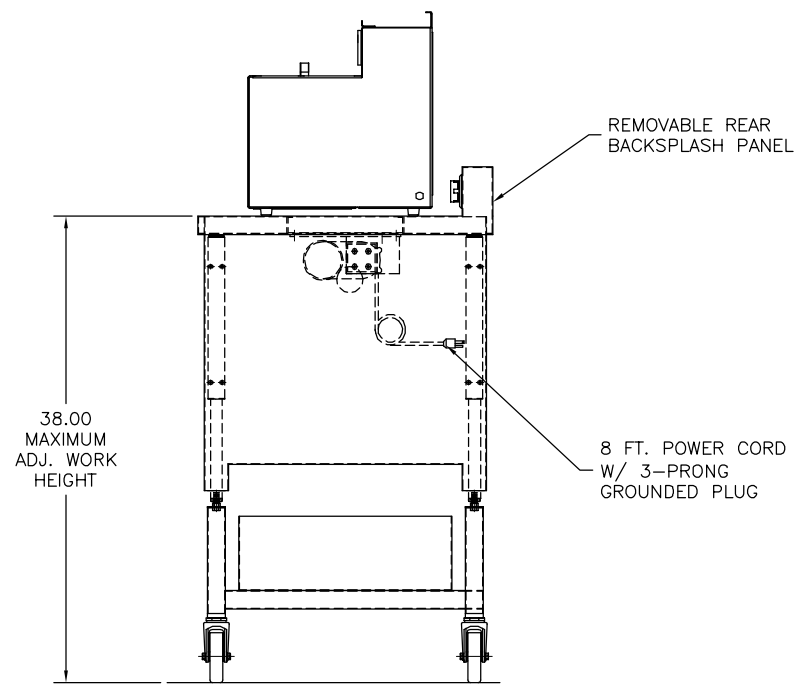
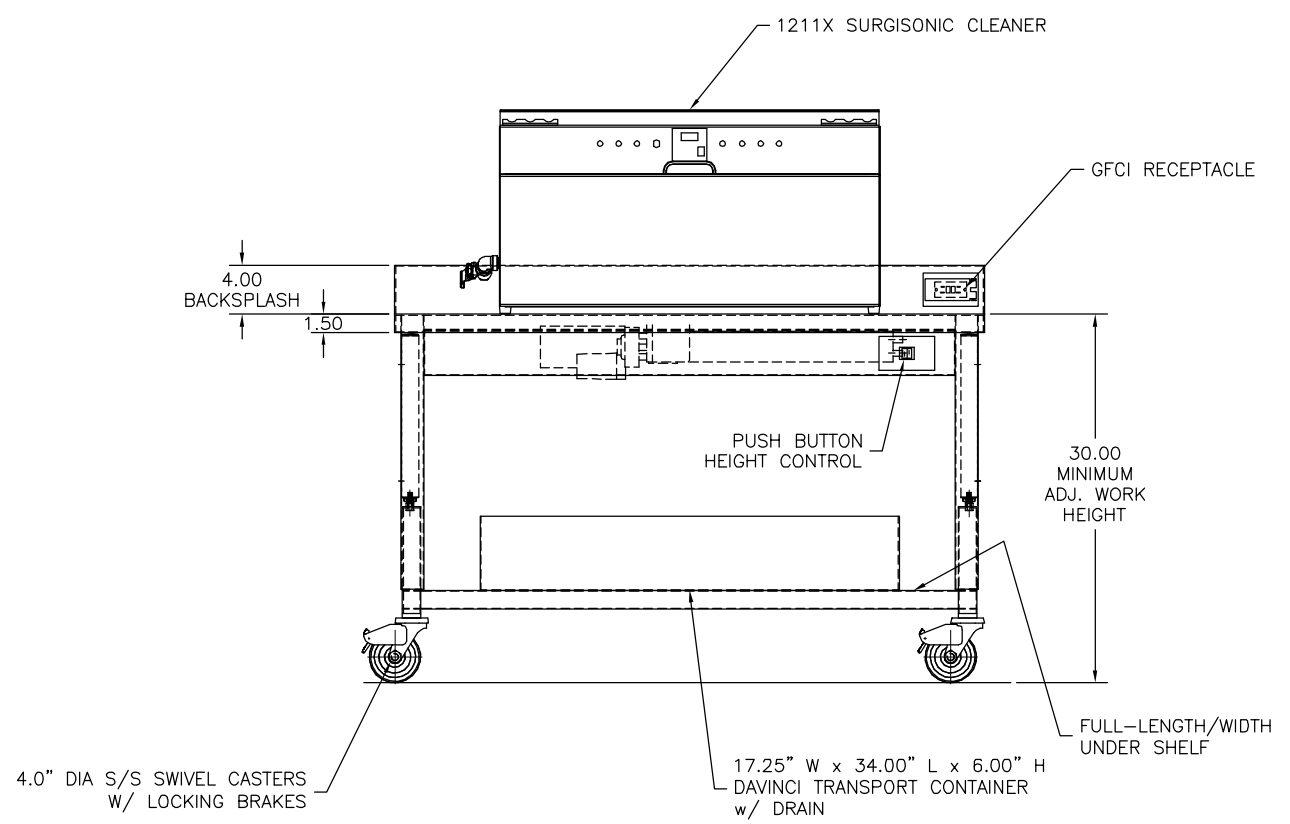
ONE (1) SET OF APPROVAL PRINTS MUST BE SIGNED AND RETURNED TO TBJ INC. BEFORE EQUIPMENT CAN BE RELEASED FOR PRODUCTION

APPROVED AS DRAWN FOR FABRICATION

NOT APPROVED — REVISE & RESUBMIT FOR FINAL APPROVAL

SIGNED \_\_\_\_\_

DATE \_\_\_\_\_



UNLESS OTHERWISE SPECIFIED		-	-	-	-
TOLERANCES IN INCHES: FRACTIONAL ± 1/32 ANGULAR ± 0°25' ONE DECIMAL ± 0.063 TWO DECIMAL ± 0.031 THREE DECIMAL ± 0.015		LET	REVISION	BY	DATE
				1671 ORCHARD DRIVE CHAMBERSBURG, PA 17201 Phone: (717) 261-9700 www.tbjinc.com	
		SCALE 1-1/2"=1'-0"		DRAWN BY SMH	
		REF DWG - R18349		DATE 10-23-19	
PRDD. RELEASE	NAME	DATE	24-48 WT-AH-M WORK TABLE		
APPR. RELEASE	-	-			
REVIEWED BY	-	-			
ENG APPR.	-	-			
			ROUGH-IN ASSEMBLY	R19315	