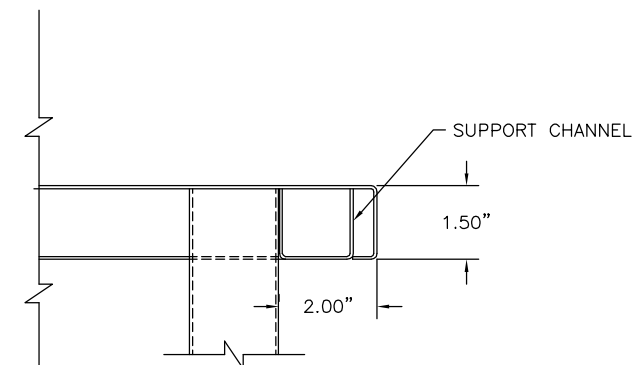
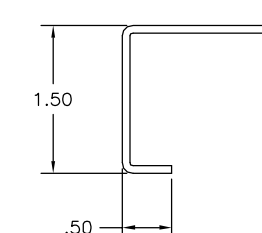
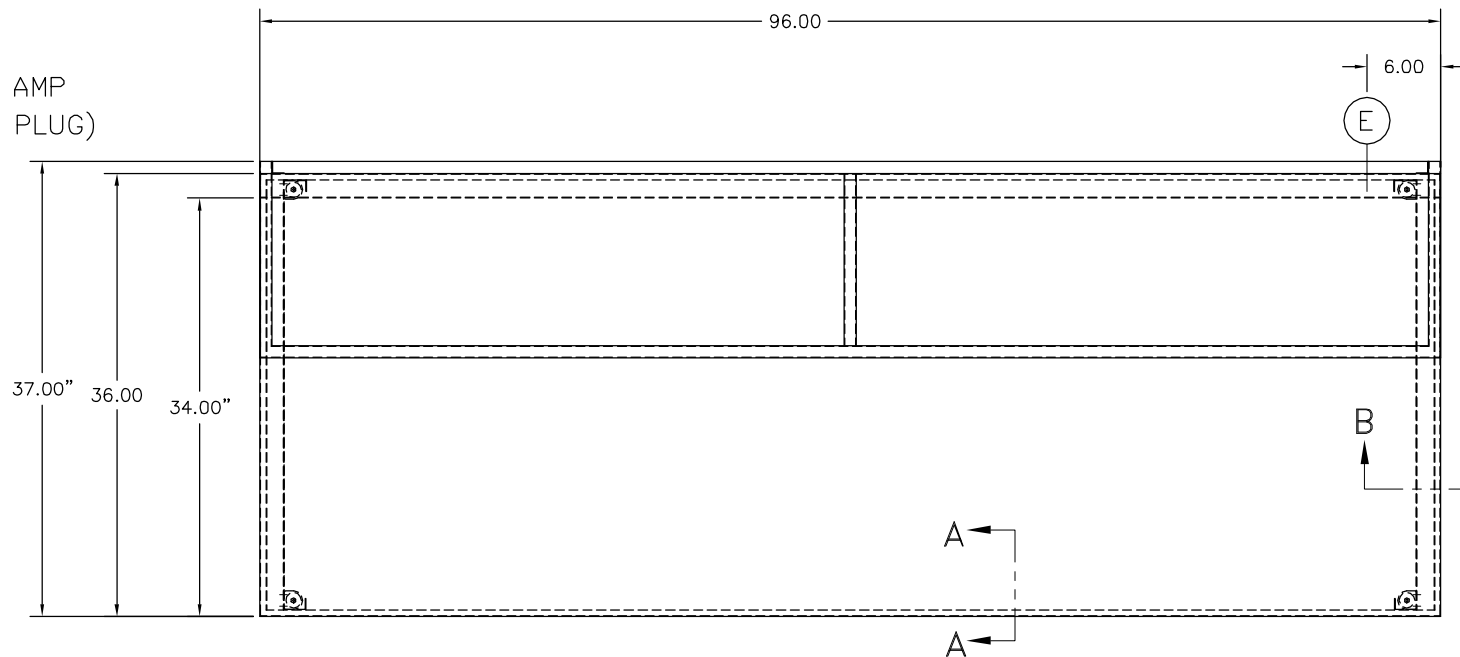


UTILITY REQUIREMENTS

(E) — ELECTRICAL — 115 V., 1 PH., 60 Hz., 15 AMP
(FOR 3-PRONG GROUNDED PLUG)



SECTION B-B
SCALE: 6"=1'-0"

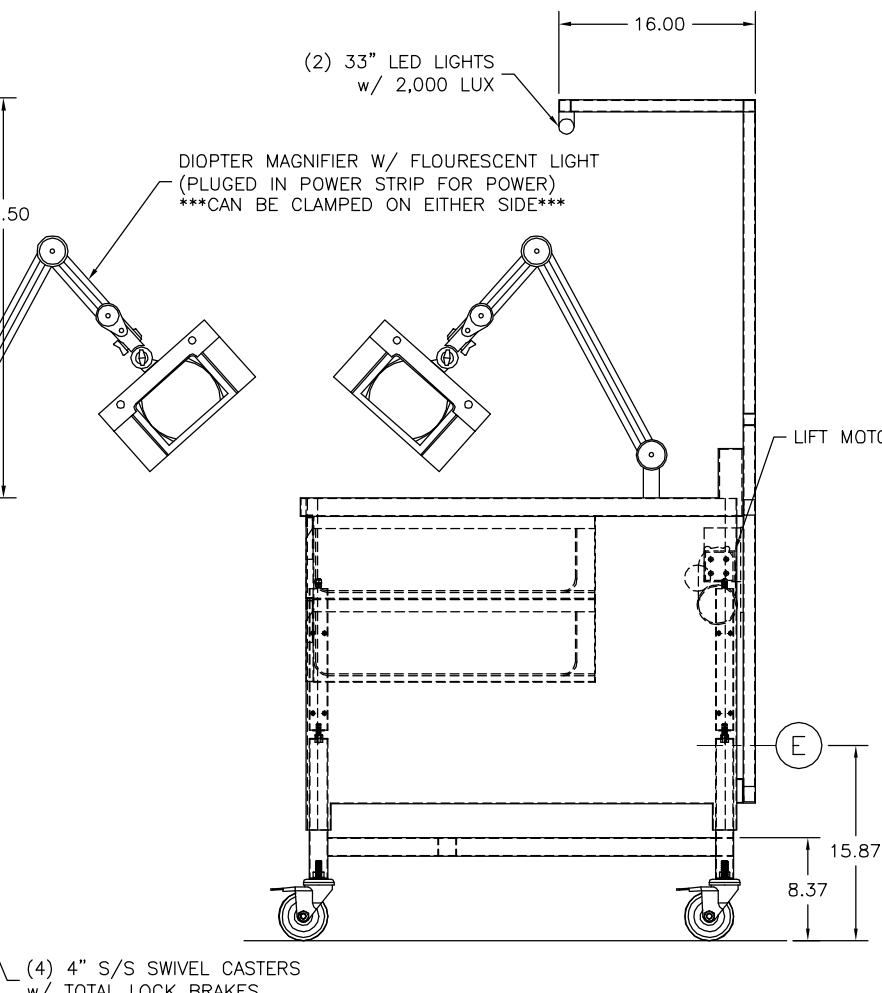
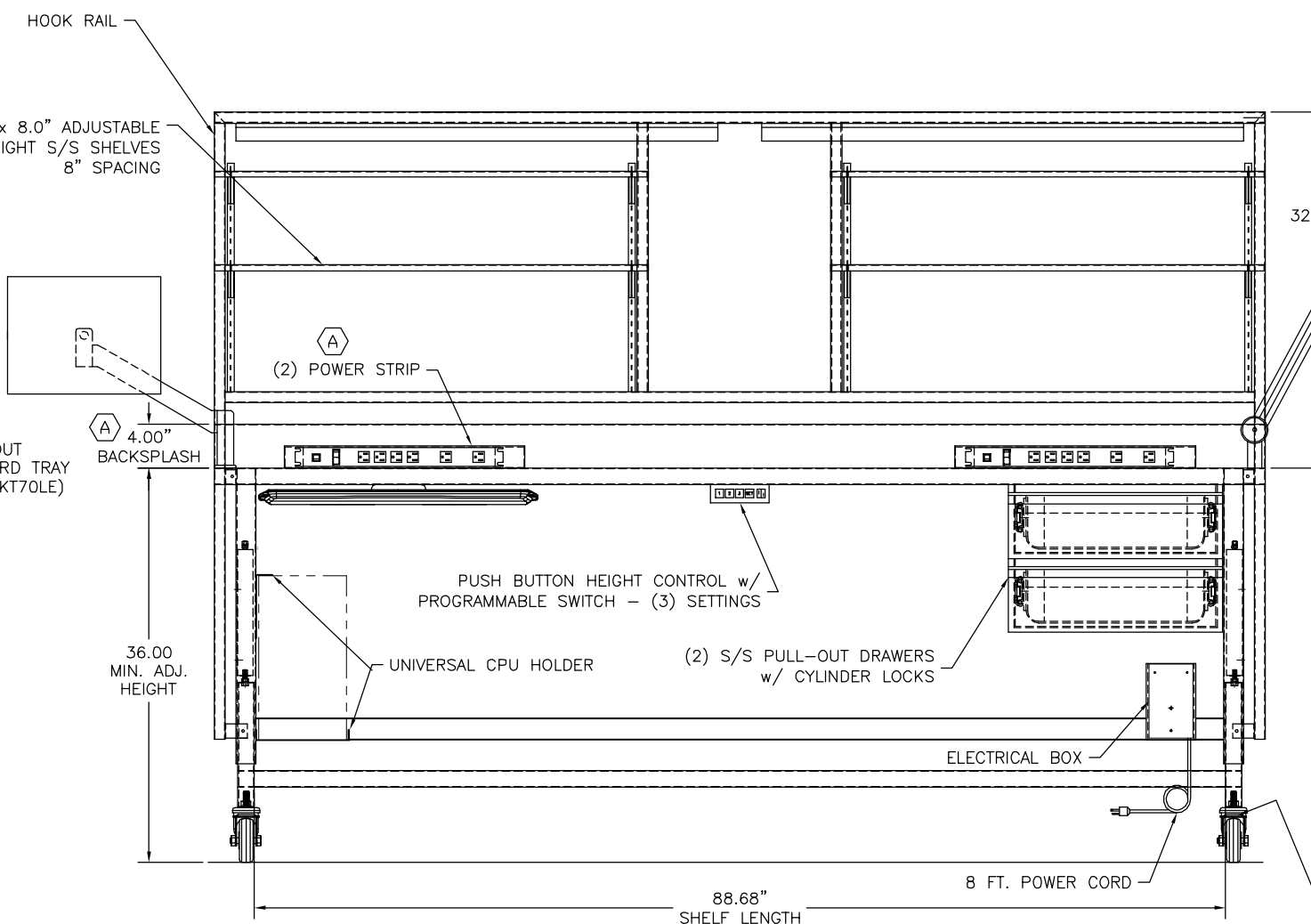
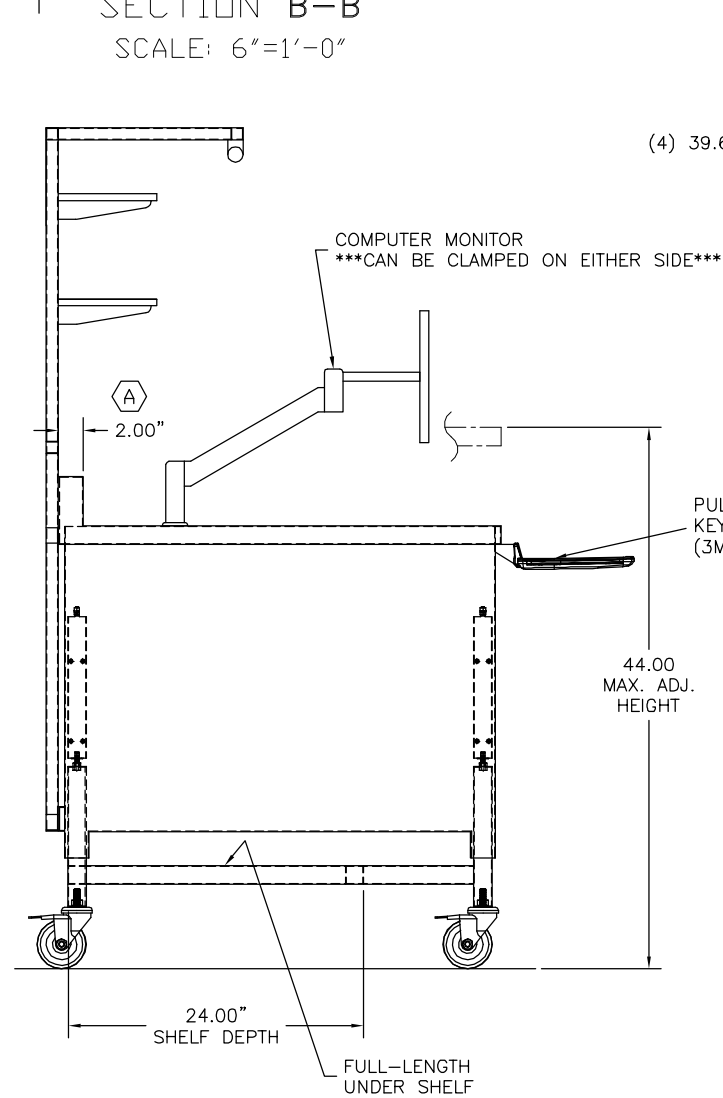


SECTION A-A
SCALE: FULL

FOR APPROVAL ONLY
ONE (1) SET OF APPROVAL PRINTS MUST BE SIGNED AND RETURNED TO TBJ INC. BEFORE EQUIPMENT CAN BE RELEASED FOR PRODUCTION

APPROVED AS DRAWN FOR FABRICATION
 NOT APPROVED — REVISE & RESUBMIT FOR FINAL APPROVAL

SIGNED _____
DATE _____



UNLESS OTHERWISE SPECIFIED		A	ADDED BACKSPLASH & SECOND POWER STRIP	SMH	3/5/19
TOLERANCES IN INCHES: FRACTIONAL ± 1/32 ANGULAR ± 0°25' ONE DECIMAL ± 0.063 TWO DECIMAL ± 0.031 THREE DECIMAL ± 0.015		LET	REVISION	BY	DATE
		TBJ INCORPORATED		1671 ORCHARD DRIVE CHAMBERSBURG, PA 17201 Phone: (717) 261-9700 www.tbjinc.com	
		SCALE 1-1/2"=1'-0"	3107-1	DRAWN BY	SMH
		REF DWG - R14152		DATE	10-23-18
PRDD. RELEASE	-	-	36-96 WT-AH WORK TABLE		
APPR. RELEASE	-	-	ROUGH-IN ASSEMBLY		
REVIEWED BY	-	-	R18312		
ENG APPR.	-	-			