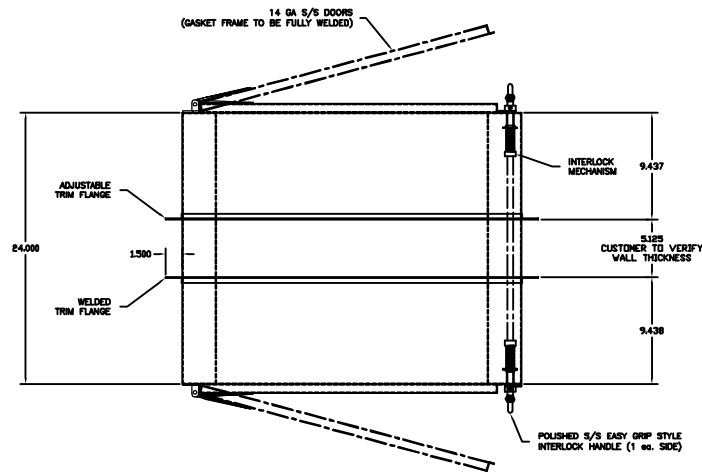
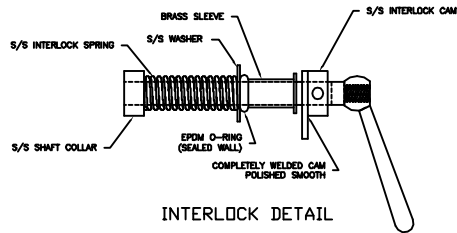


CONSTRUCTION NOTES:

- CUT HOLE THROUGH WALL (30.50"H x 30.50"W)
- INSTALL PASS THRU INTO WALL
- RESEAL WALL OPENING AS REQUIRED THEN ADD TRIM FLANGES
- BLACK EPDM OPEN CELL GASKET DOOR SEALS
- 7/8" HEX SHAPE INTERLOCK SPRING CAP
- 14 GA STAINLESS STEEL TYPE 304 w/ #4 FINISH
- POLISH ALL EDGES ON HARDWARE, FILING SHARP EDGES
- INTERLOCK TO WORK SMOOTHLY (NO GRINDING OR POPPING)



FOR APPROVAL ONLY

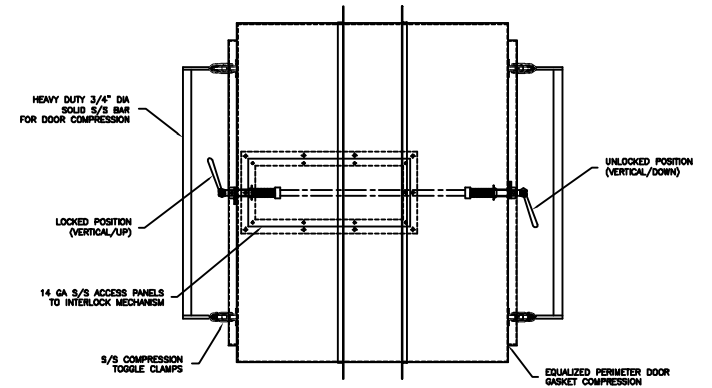
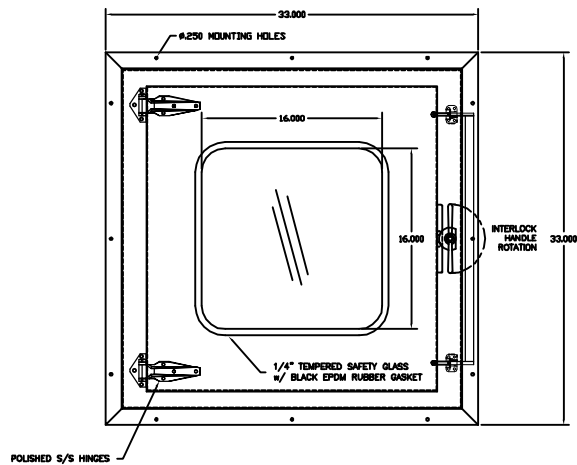
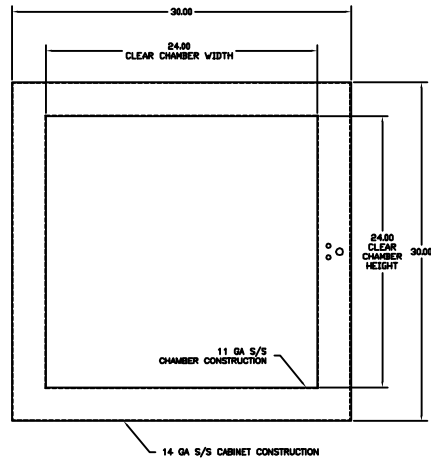
ONE (1) SET OF APPROVAL PRINTS MUST BE SIGNED AND RETURNED TO TBJ INC. BEFORE EQUIPMENT CAN BE RELEASED FOR PRODUCTION

APPROVED AS DRAWN FOR FABRICATION

NOT APPROVED - REVISE & RESUBMIT FOR FINAL APPROVAL

SIGNED \_\_\_\_\_

DATE \_\_\_\_\_



UNLESS OTHERWISE SPECIFIED		LET		REVISION		BY	DATE
TOLERANCES IN INCHES:		MADVENTUM Logo.jpg		1671 ORCHARD DRIVE			
FRACTIONAL ± 1/32		CHAMBERSBURG, PA 17201		Phone: (717) 261-9700			
ANGULAR ± 0°30'		www.tbjinc.com		SCALE N.T.S.		2994-1	TAS
ONE DECIMAL ± 0.003		REF DVG - R19056		DATE		4-24-18	
TWO DECIMAL ± 0.001		PT 24-24-24-NV PASS THRU CABINET					
THREE DECIMAL ± 0.015		ROUGH-IN ASSEMBLY					
PRD. RELEASE	-						R18100
APPR. RELEASE	JJ	4-24-18					
REVIEWED BY	-						
ENG APPR.	-						