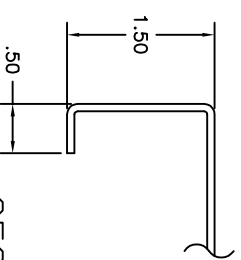
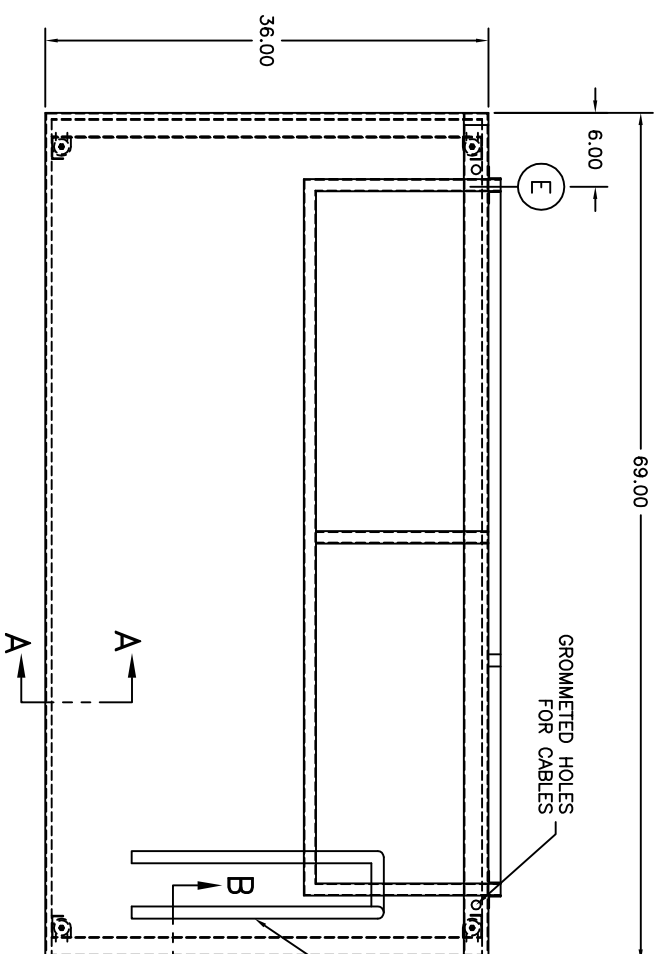


UTILITY REQUIREMENTS

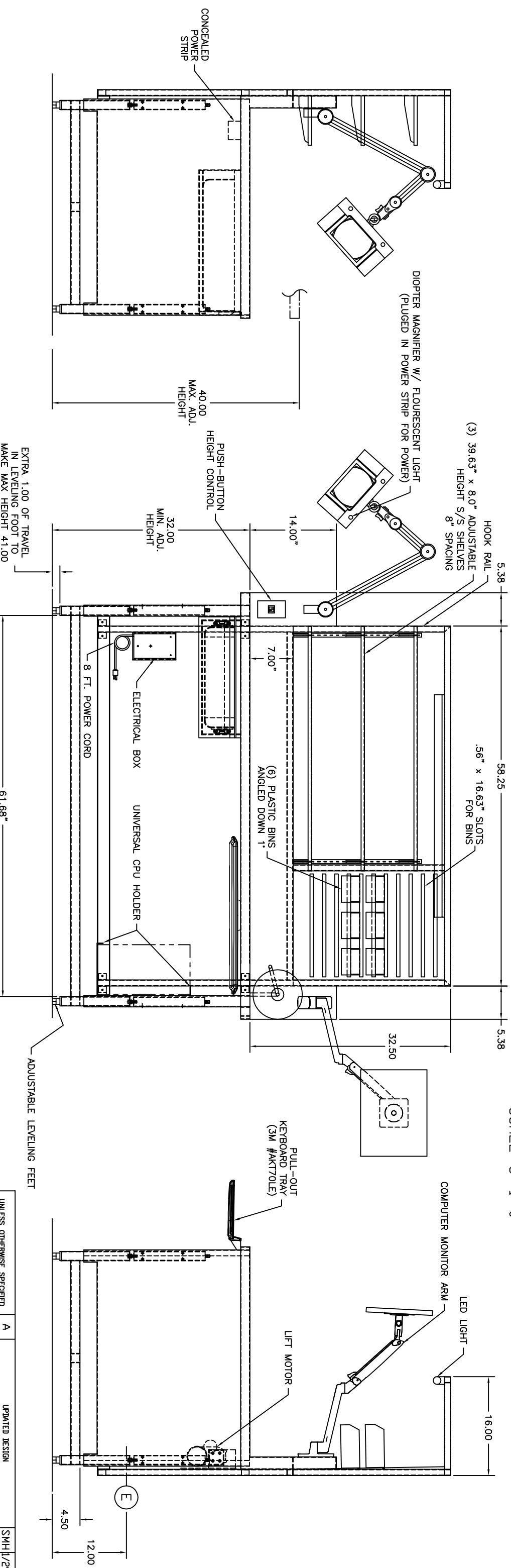
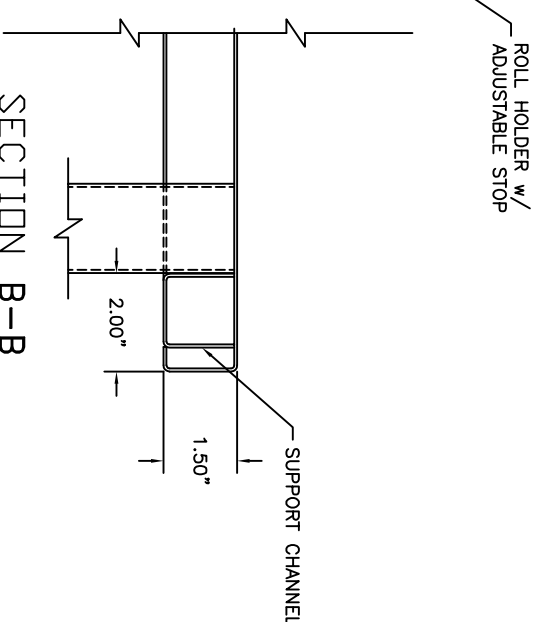
ⓔ ELECTRICAL - 115 V., 1 PH., 60 HZ., 15 AMP
(FOR 3-PRONG GROUNDED PLUG)



SECTION A-A
SCALE: FULL



SECTION B-B
SCALE: 6"=1'-0"



UNLESS OTHERWISE SPECIFIED		A	
TOLERANCES IN INCHES:		SMH/1/29/18	
FRACTIONAL ± 1/32	LET	REVISION	BY DATE
ANGULAR ± .075°			
ONE DECIMAL ± 0.063			
TWO DECIMAL ± 0.031			
THREE DECIMAL ± 0.015			
NAME	DATE	SCALE	DRAWN BY
		1-1/2"=1'-0"	SMH
REF. DWG - R14152	DATE		
PRD. RELEASE	-	36-60 WT-AH WORK TABLE	
APPR. RELEASE	-	ROUGH-IN ASSEMBLY	
REVIEWED BY	-	R17317	
ENG. APPR.	-		

FOR APPROVAL ONLY

ONE (1) SET OF APPROVAL PRINTS MUST BE SIGNED AND RETURNED TO TBJ INC. BEFORE EQUIPMENT CAN BE RELEASED FOR PRODUCTION

APPROVED AS DRAWN FOR FABRICATION

NOT APPROVED - REVISE & RESUBMIT FOR FINAL APPROVAL

SIGNED _____

DATE _____