

CONSTRUCTION NOTES:

- CUT HOLE THROUGH WALL (42.00"H x 36.00"W)
- REMOVE FASTENERS HOLDING CASING AS INDICATED
- INSTALL PASS THRU WINDOW INTO WALL
- INSTALL CASING TO WINDOW w/ PREVIOUS REMOVED FASTENERS
- RESEAL WALL OPENING AS REQUIRED
- 18 GA STAINLESS STEEL TYPE 304
- 1/4" TEMPERED SAFETY GLASS
- RUBBER WINDOW SEALS

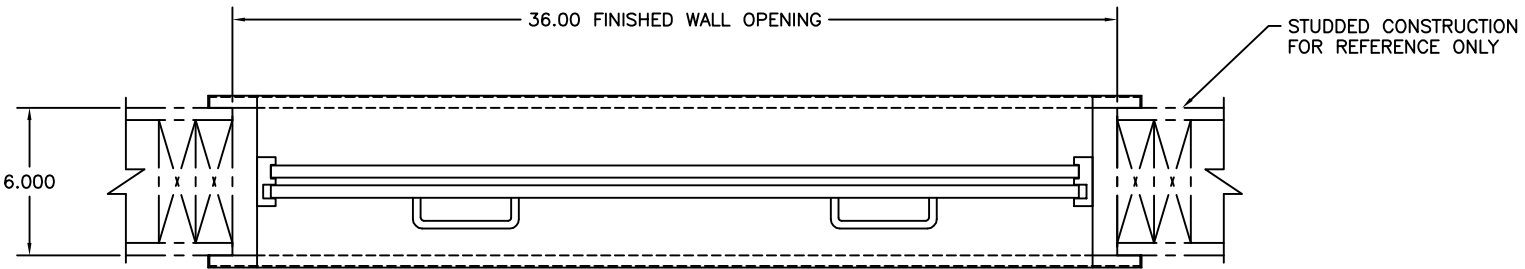
FOR APPROVAL ONLY

ONE (1) SET OF APPROVAL PRINTS MUST BE SIGNED AND RETURNED TO TBJ INC. BEFORE EQUIPMENT CAN BE RELEASED FOR PRODUCTION

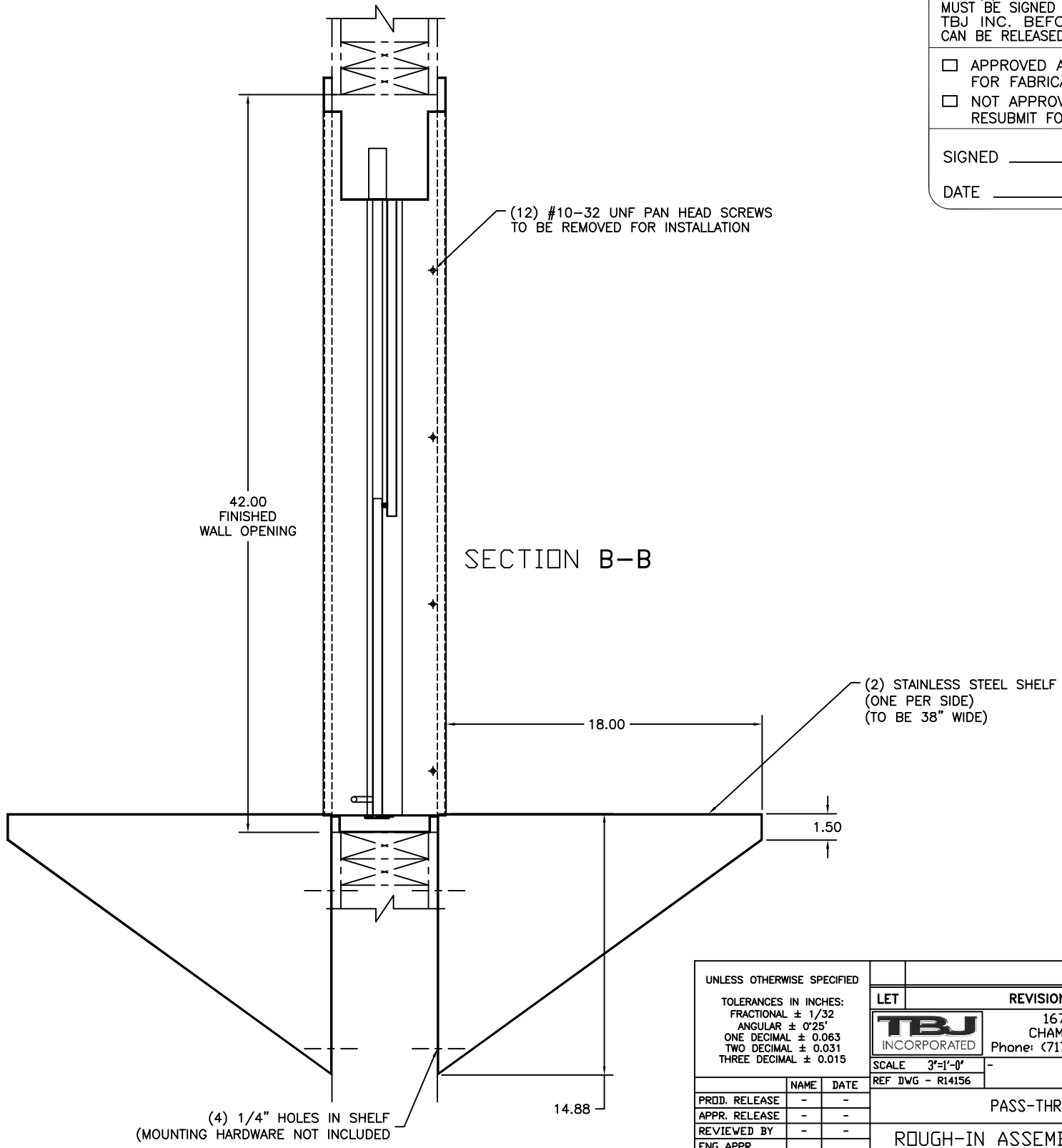
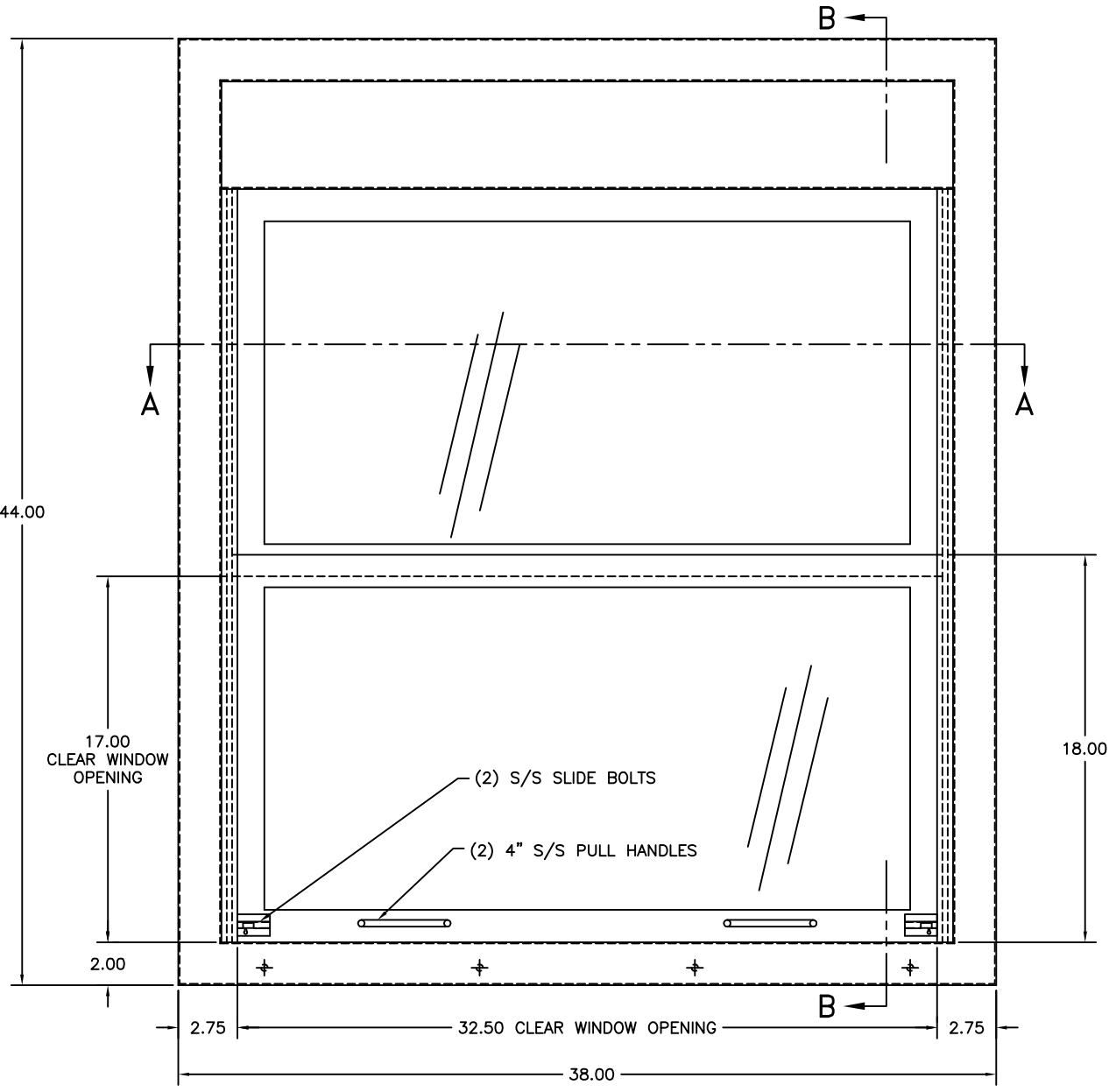
- APPROVED AS DRAWN FOR FABRICATION
- NOT APPROVED - REVISE & RESUBMIT FOR FINAL APPROVAL

SIGNED _____

DATE _____



SECTION A-A



UNLESS OTHERWISE SPECIFIED		LET	REVISION	BY	DATE
TOLERANCES IN INCHES: FRACTIONAL ± 1/32 ANGULAR ± 0°25' ONE DECIMAL ± 0.063 TWO DECIMAL ± 0.031 THREE DECIMAL ± 0.015				1671 ORCHARD DRIVE CHAMBERSBURG, PA 17201 Phone: (717) 261-9700 www.tbjinc.com	
SCALE	3"=1'-0"	DRAWN BY	SMH		
REF DWG	R14156	DATE	3-28-17		
PRD. RELEASE	-	PASS-THRU WINDOW			
APPR. RELEASE	-	ROUGH-IN ASSEMBLY			
REVIEWED BY	-	R17075			
ENG APPR.	-				