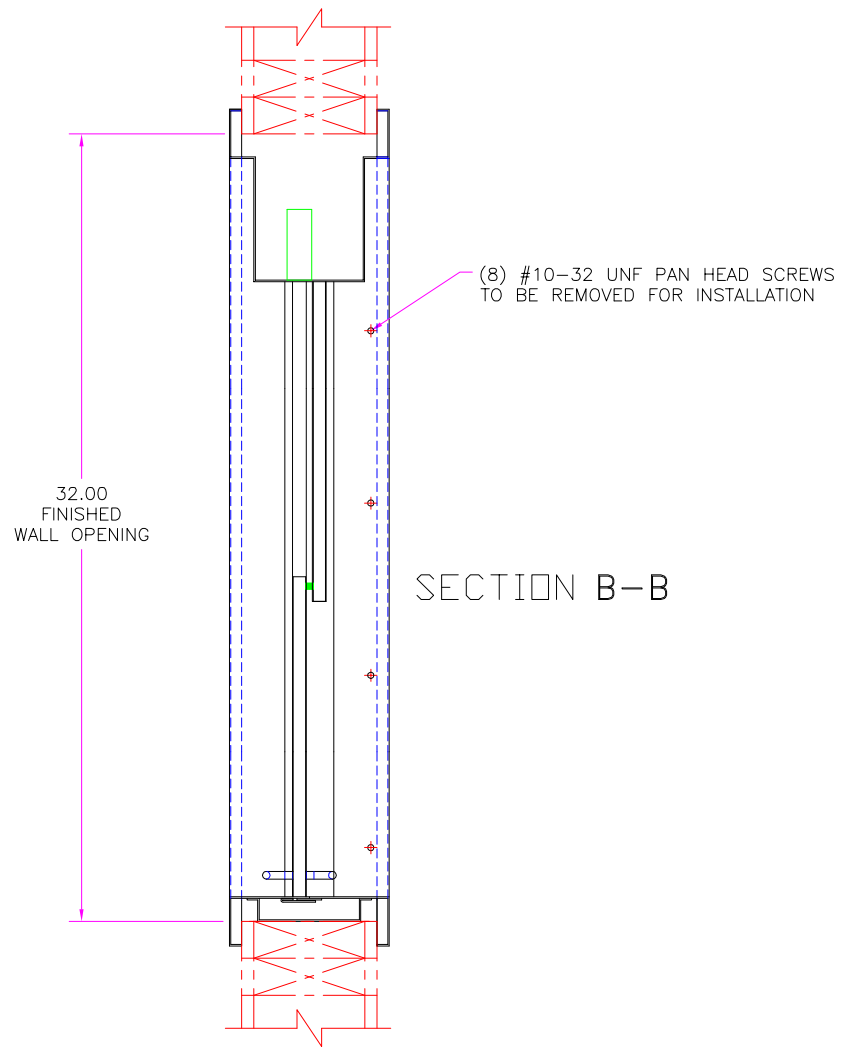
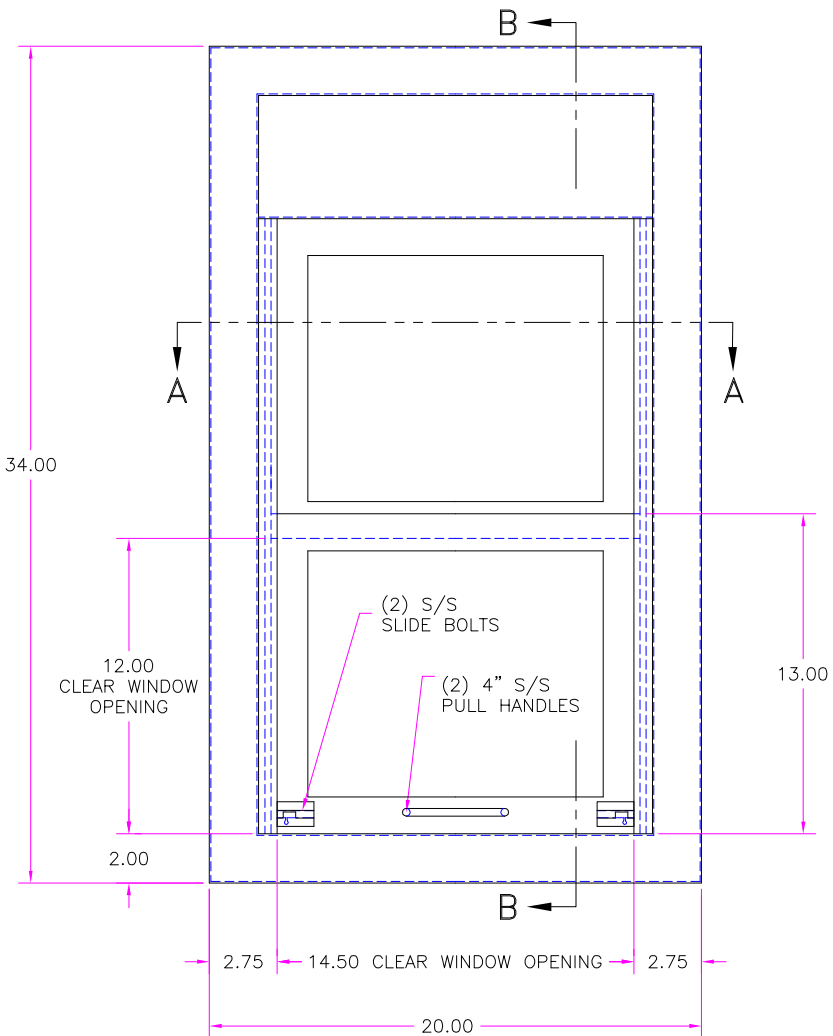
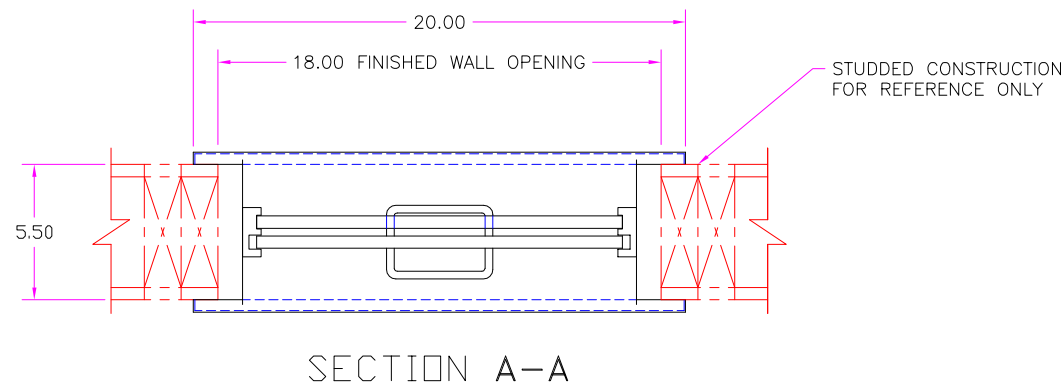


CONSTRUCTION NOTES:

- CUT HOLE THROUGH WALL (32.00"H x 18.00"W)
- REMOVE FASTENERS HOLDING CASING AS INDICATED
- INSTALL PASS THRU WINDOW INTO WALL
- INSTALL CASING TO WINDOW w/ PREVIOUS REMOVED FASTENERS
- RESEAL WALL OPENING AS REQUIRED
- 18 GA STAINLESS STEEL TYPE 304
- 1/4" TEMPERED SAFETY GLASS
- RUBBER WINDOW SEALS



FOR APPROVAL ONLY

ONE (1) SET OF APPROVAL PRINTS MUST BE SIGNED AND RETURNED TO TBJ INC. BEFORE EQUIPMENT CAN BE RELEASED FOR PRODUCTION

APPROVED AS DRAWN FOR FABRICATION

NOT APPROVED - REVISE & RESUBMIT FOR FINAL APPROVAL

SIGNED _____

DATE _____

UNLESS OTHERWISE SPECIFIED		LET	REVISION	BY	DATE
TOLERANCES IN INCHES: FRACTIONAL ± 1/32 ANGULAR ± 0'25" ONE DECIMAL ± 0.063 TWO DECIMAL ± 0.031 THREE DECIMAL ± 0.015				1671 ORCHARD DRIVE CHAMBERSBURG, PA 17201 Phone: (717) 261-9700 www.tbjinc.com	
SCALE 3'-1'-0"		DRAWN BY JTM		DATE 7-14-16	
REF DWG - R15229		34-20 PASS-THRU WINDOW			
ROUGH-IN ASSEMBLY		R16122			
PRD. RELEASE	NAME	DATE			
APPR. RELEASE					
REVIEWED BY					
ENG APPR.					