

CONSTRUCTION NOTES:

- CUT HOLE THROUGH WALL (36.00"H x 25.50"W)
- REMOVE FASTENERS HOLDING CASING AS INDICATED
- INSTALL PASS THRU WINDOW INTO WALL
- INSTALL CASING TO WINDOW w/ PREVIOUS REMOVED FASTENERS
- RESEAL WALL OPENING AS REQUIRED
- 18 GA STAINLESS STEEL TYPE 304
- 1/4" TEMPERED SAFETY GLASS
- RUBBER WINDOW SEALS

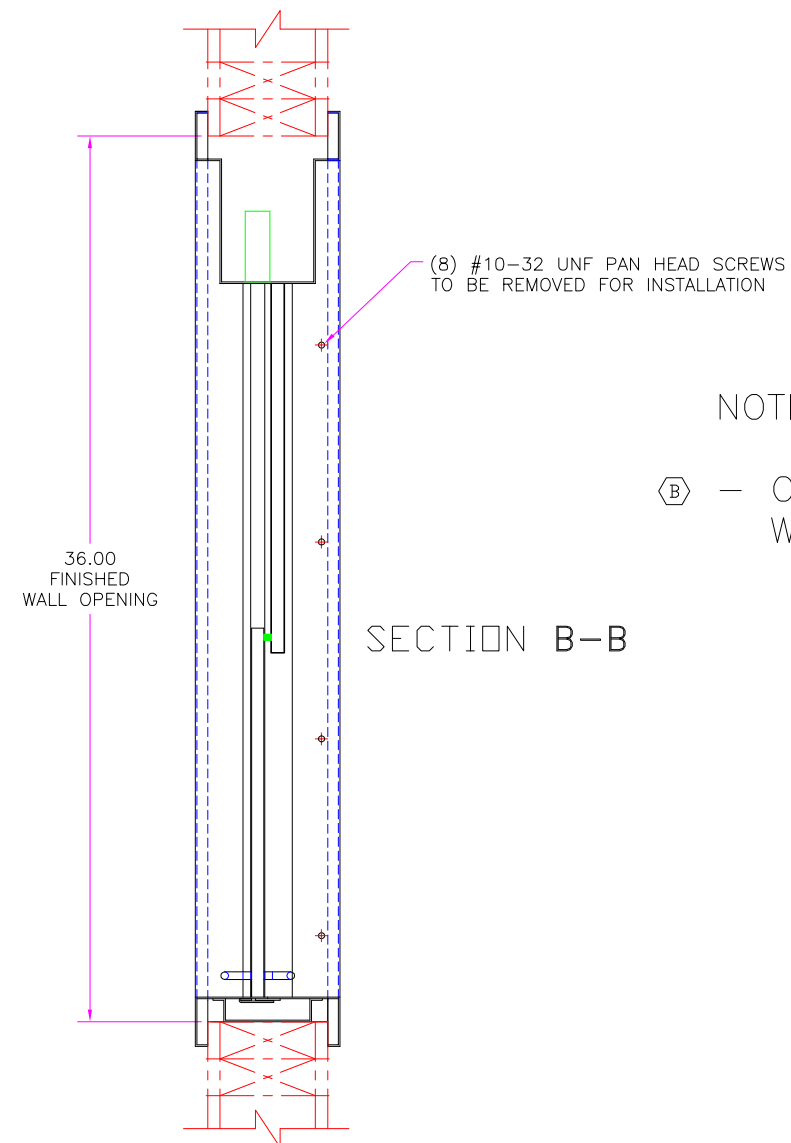
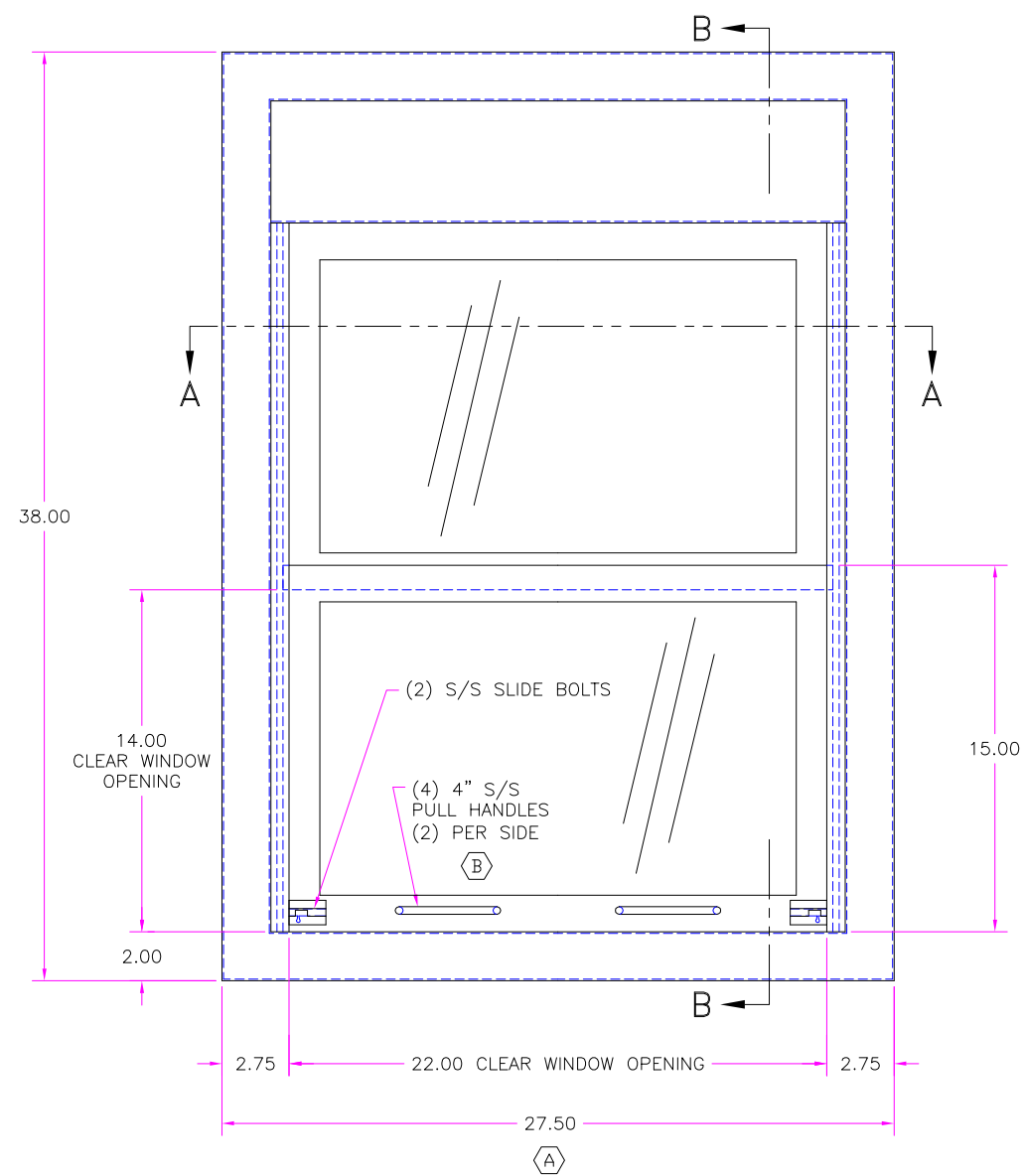
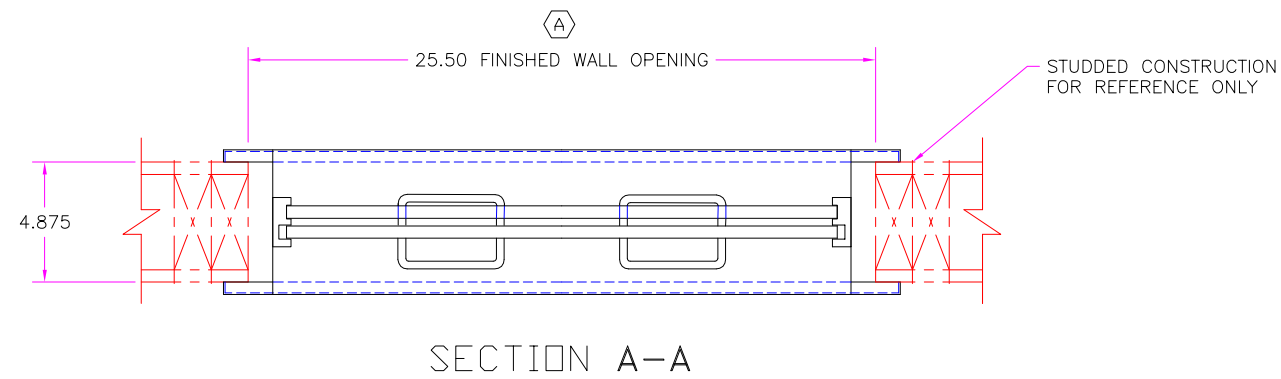
FOR APPROVAL ONLY

ONE (1) SET OF APPROVAL PRINTS MUST BE SIGNED AND RETURNED TO TBJ INC. BEFORE EQUIPMENT CAN BE RELEASED FOR PRODUCTION

- APPROVED AS DRAWN FOR FABRICATION
- NOT APPROVED - REVISE & RESUBMIT FOR FINAL APPROVAL

SIGNED _____

DATE _____



NOTE:

- (B) - COUNTERBALANCES UNDERSIZED TO ALLOW WINDOW TO CLOSE SLOWLY VIA GRAVITY

LET	REVISION	BY	DATE
B	ADDED PULL HANDLES ON BOTH SIDES & NOTE FOR COUNTERBALANCES TO BE UNDERSIZED	JTM	7-29-16
A	REDUCED WIDTH TO 27.50" & WALL OPENING TO 25.50"	JTM	7-25-16

UNLESS OTHERWISE SPECIFIED		TOLERANCES IN INCHES:	
		FRACTIONAL ± 1/32	
		ANGULAR ± 0°25'	
		ONE DECIMAL ± 0.063	
		TWO DECIMAL ± 0.031	
		THREE DECIMAL ± 0.015	

SCALE	3"=1'-0"	DRAWN BY	ALE
REF DWG	R15229	DATE	7-5-16

27.50-38 PASS-THRU WINDOW	
ROUGH-IN ASSEMBLY	R16121