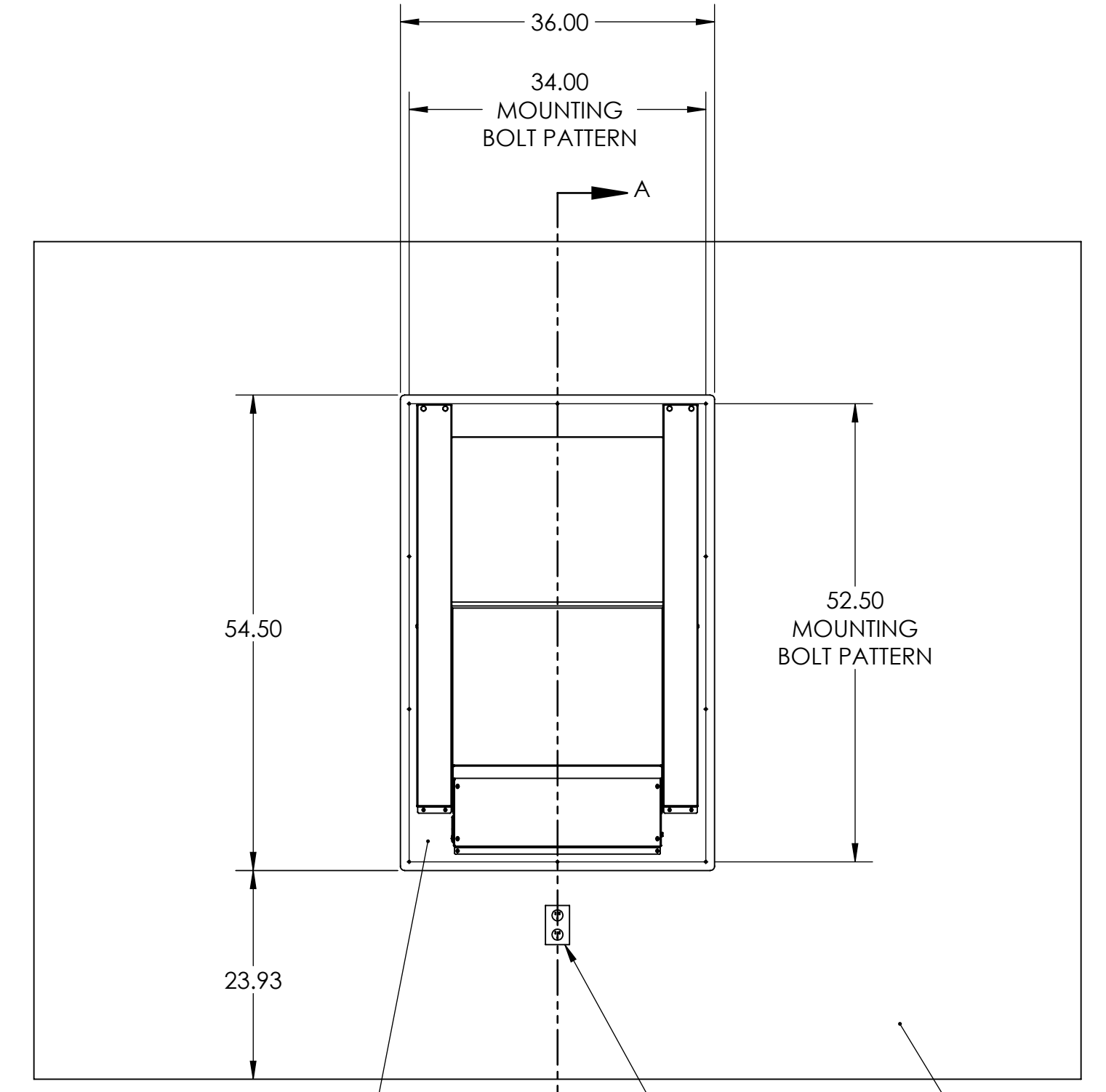
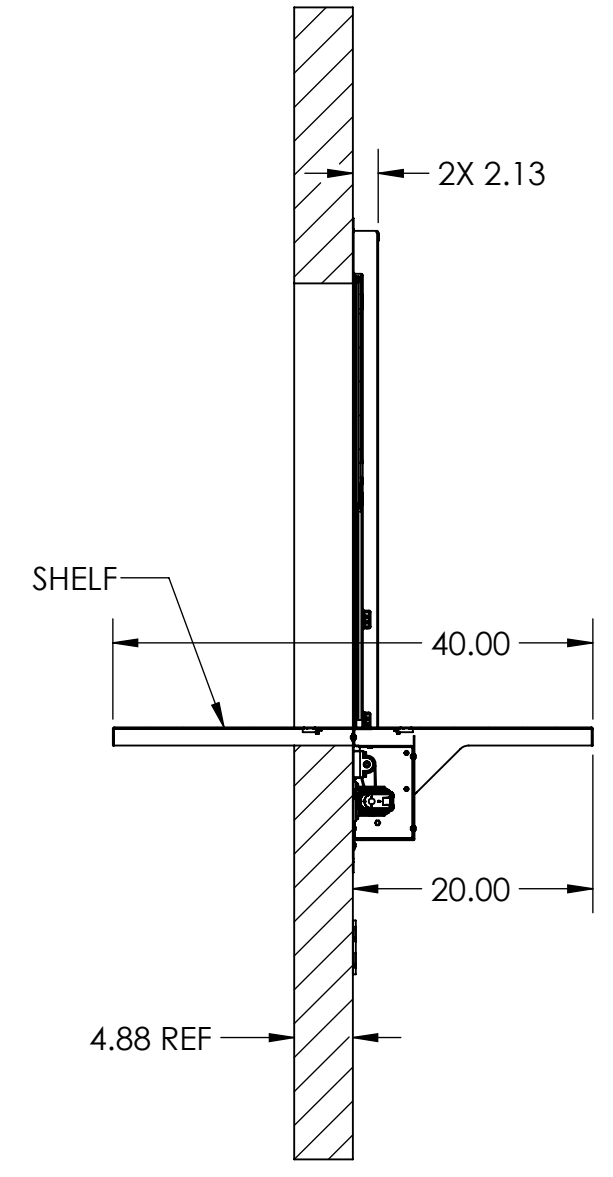
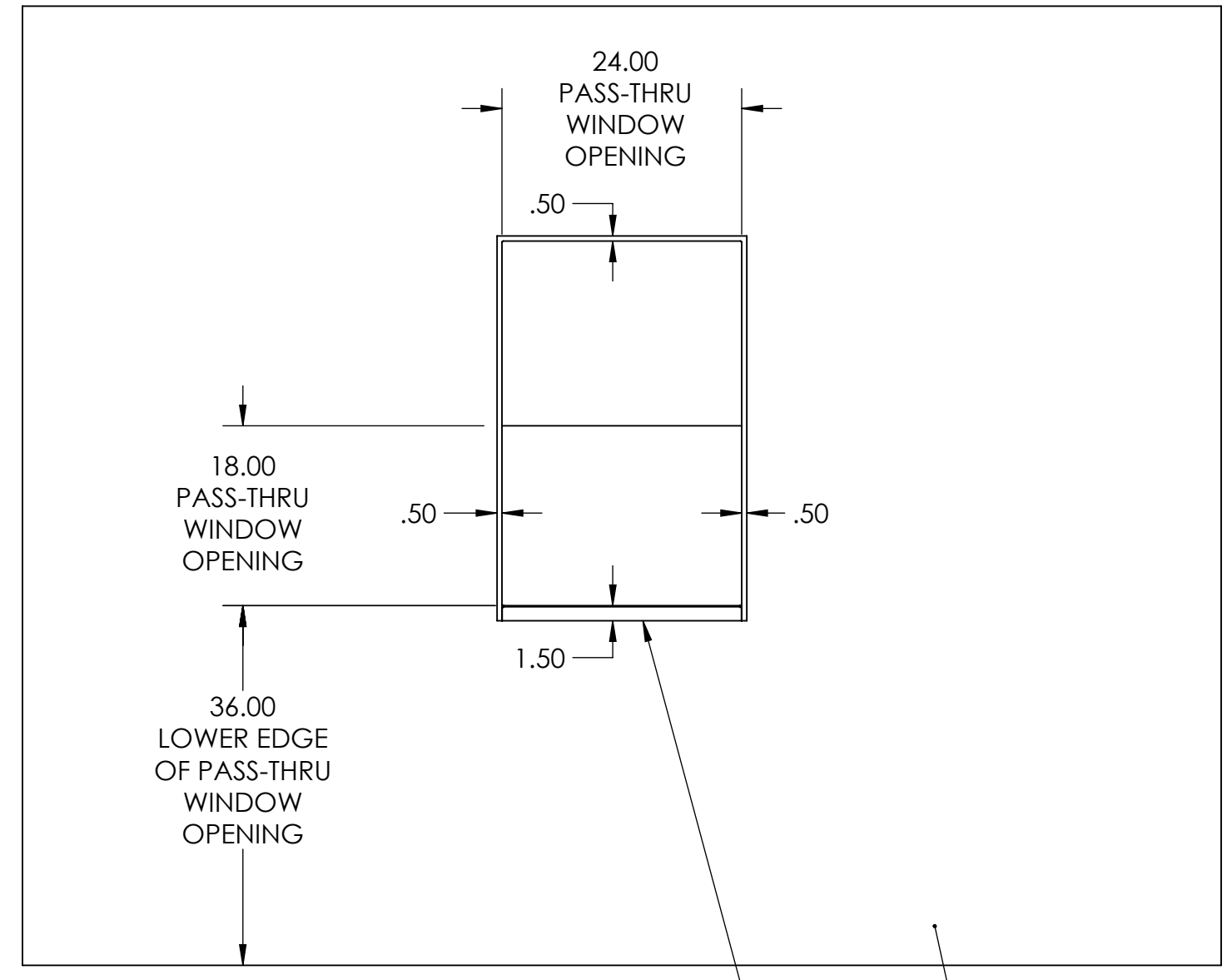


REVISIONS				
ZONE	REV.	DESCRIPTION	DATE	APPROVED
	A	INITIAL RELEASE	4/18/15	MSC



CLEAN ROOM SIDE

PACKAGING ROOM SIDE

- NOTES:
1. SHELF OF THE 311 EPT PASS-THRU WINDOW SITS DIRECTLY ON THE WINDOW OPENING LEDGE, CENTER UNIT WITHIN THE WINDOW OPENING
  2. ATTACH CRD311 PASS-THRU WINDOW TO WALL USING 10X #14 TRUSS HEAD SHEET METAL SCREWS, #3 PHILLIPS DRIVE, 18-8 SS, .216" DIA X 1.5" LONG, McMASTER-CARR P/N 93406A318
  3. POWER FOR UNIT SHOULD BE 120VAC-15AMP CIRCUIT, 6-FOOT POWER CORD IS SUPPLIED

**PROPRIETARY AND CONFIDENTIAL**  
 THE INFORMATION CONTAINED IN THIS DRAWING IS PROPRIETARY. ANY REPRODUCTION IN PART OR AS A WHOLE WITHOUT THE WRITTEN PERMISSION IS PROHIBITED.

UNLESS OTHERWISE SPECIFIED:		DRAWN		NAME		DATE		TBJ, Incorporated	
DIMENSIONS ARE IN INCHES		MSC		MSC		4/18/15		TITLE:	
TOLERANCES:		CHECKED						Model 311 EPT	
FRACTIONAL ±1/16		ENG APPR.						Pass-Thru Window	
ANGULAR: MACHINED ±0.5°		MFG APPR.						SIZE	
BEND ±2°		Q.A.						C 311-001	
TWO PLACE DECIMAL ±.01		COMMENTS:						REV	
THREE PLACE DECIMAL ±.005								A	
INTERPRET GEOMETRIC TOLERANCING PER: ANSI Y14.5		NEXT ASSY		USED ON		DO NOT SCALE DRAWING		SCALE: 1:16	
MATERIAL								WEIGHT:	
SEE NOTES								SHEET 1 OF 1	
FINISH									
SEE NOTES									