

TBJ Model 30-96-2TB SPCS-AH Scope Pre-Cleaning Sink (ref. dwg. R18338)



Product Specification

Product Description

The TBJ Model 30-96-2TB SPCS work sink is specifically designed for use in GI Labs and Sterile Processing Departments for the pre-cleaning flexible endoscopes. The unit includes two elongated trough style bowls allowing for the extended linear positioning of endoscopes during the pre-cleaning process. The work sink shall have the following configuration and features:

- The sink shall be 96" long and x 30" wide
- Bowls shall be 72" long x 9" deep
- Both bowls shall include lever handle drain controls
- The sink shall include (2) push-button automatic fill systems (one for each bowl) with level sensors and overflows
- One bowl shall be designated for dosing and flushing and one bowl shall be designated for rinsing and purging
- The sink can be equipped with an integrated Scope Buddy™ Plus Flushing Aid with wire management to reduce clutter around the sink area to improve cleanliness.
- The sink top shall be adjustable allowing the sink height to be adjusted from 34" to 42" high via a push-button control
- The sink shall include a full-length under counter storage shelf for detergent placement

Construction/Design

- Heavy duty stainless steel construction
- Type 304 stainless steel sink top, 14 gauge, #4 finish
- Type 304 stainless steel tubular base frame made of 1 1/2" square x 16 gauge wall tubing
- Adjustable leveling feet
- Seamless heliarc welded construction
- All exposed welds ground and polished
- 4" high backsplash extending the length of the sink top
- 1/8" high marine edge on around front and sides
- **Sink bowl sizes and overall dimensions can be customized around your specific needs.**
- **A wide variety of optional features are available to add to the base unit. See optional features listed below.**



Dimensions

The 30-96-2TB SPCS is 30 Wide x 96" Long with a height adjustment option allows the sink top to be adjustable between 34" and 42" High. The sink bowls are 72" Long x 9" Deep.

Primary Features

Automatic Sink Bowl Filling – Each sink bowl shall include a push-button automatic sink bowl fill system that allows the user to completely fill a sink bowl at the push of a button while utilizing valuable time to focus on other tasks. Each sink bowl is equipped with a level sensor that informs the user when the bowl is full and ready for use.

Detergent Dosing – The dosing and flushing sink bowl shall include a detergent dosing system with two push-button presets to allow users to add detergent to the sink bowl automatically. The detergent dosing system also include live water temperature monitoring to optimize the efficiency of detergent.

Flushing, Rinsing and Purging – The optional, integrated Scope Buddy™ Plus Flushing Aid is available to be integrated for e

Installation and Assembly

TBJ work sinks are shipped fully assembled, for quick and easy setup. Standard and optional fixtures are shipped installed and ready for use after installation of the sink. Fixtures are pre-piped ready for connection to in-house utilities on site.

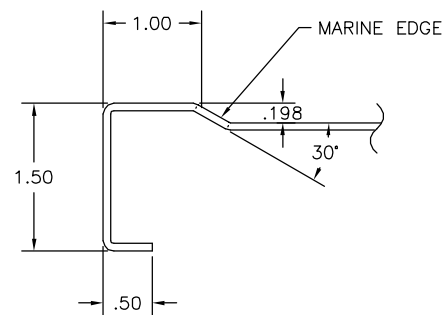
Warranty

1 Year Parts and Labor.

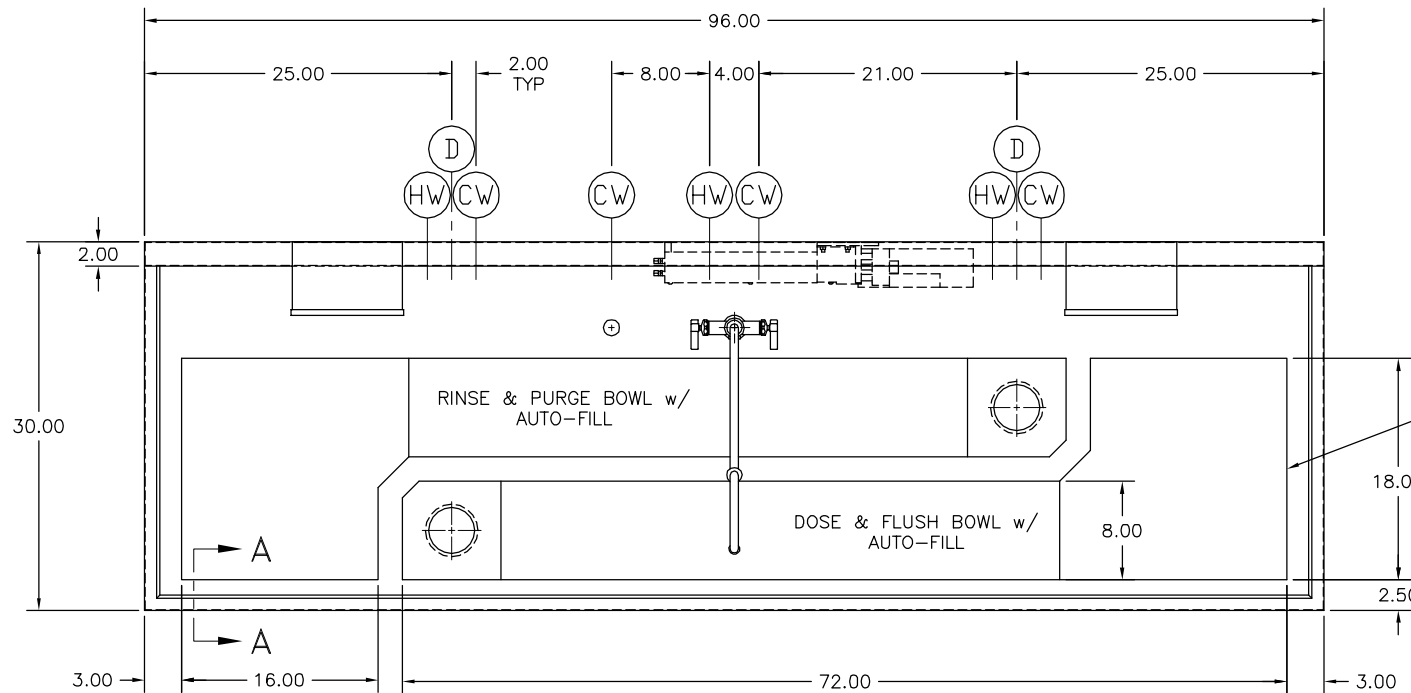
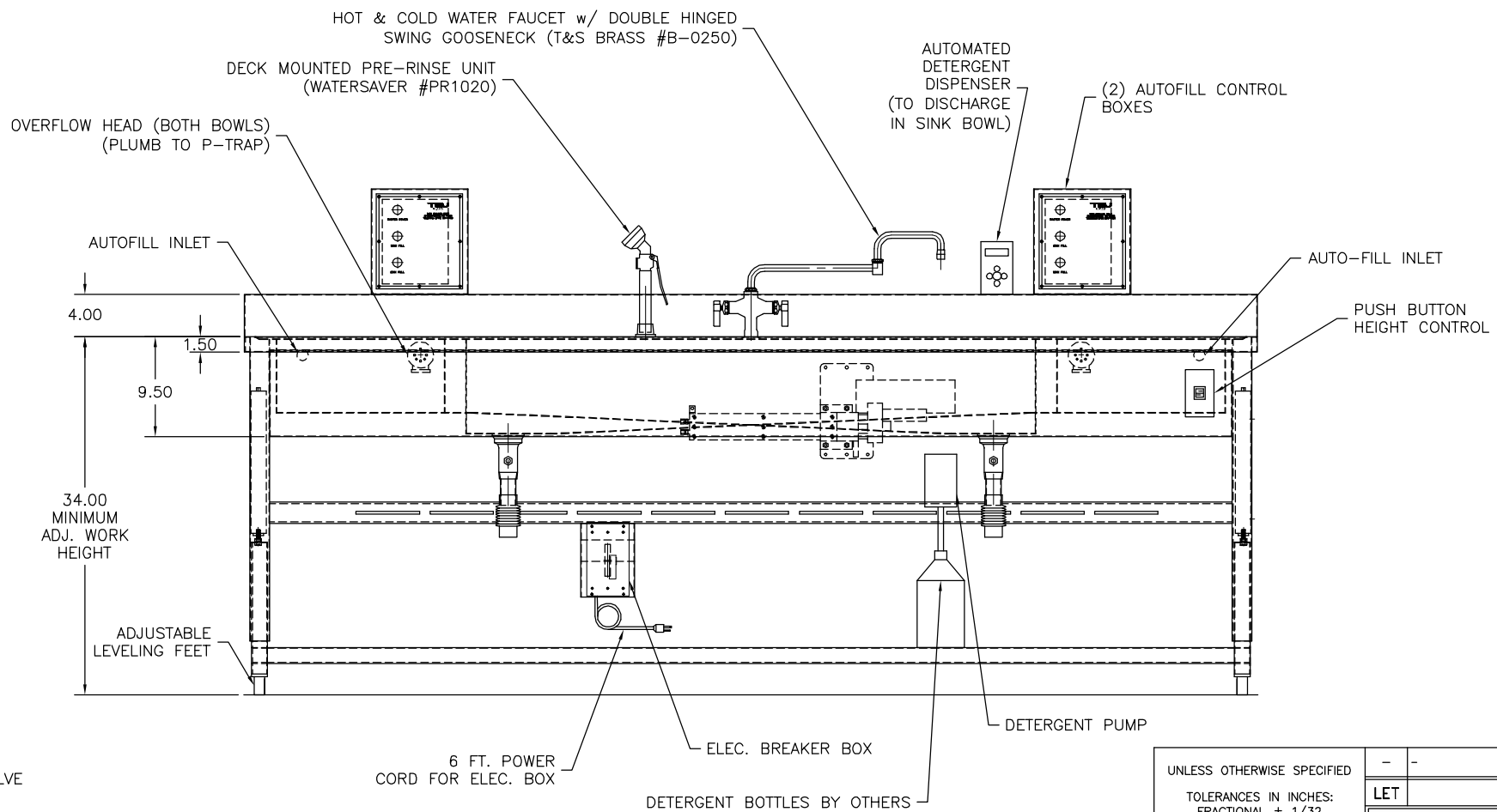
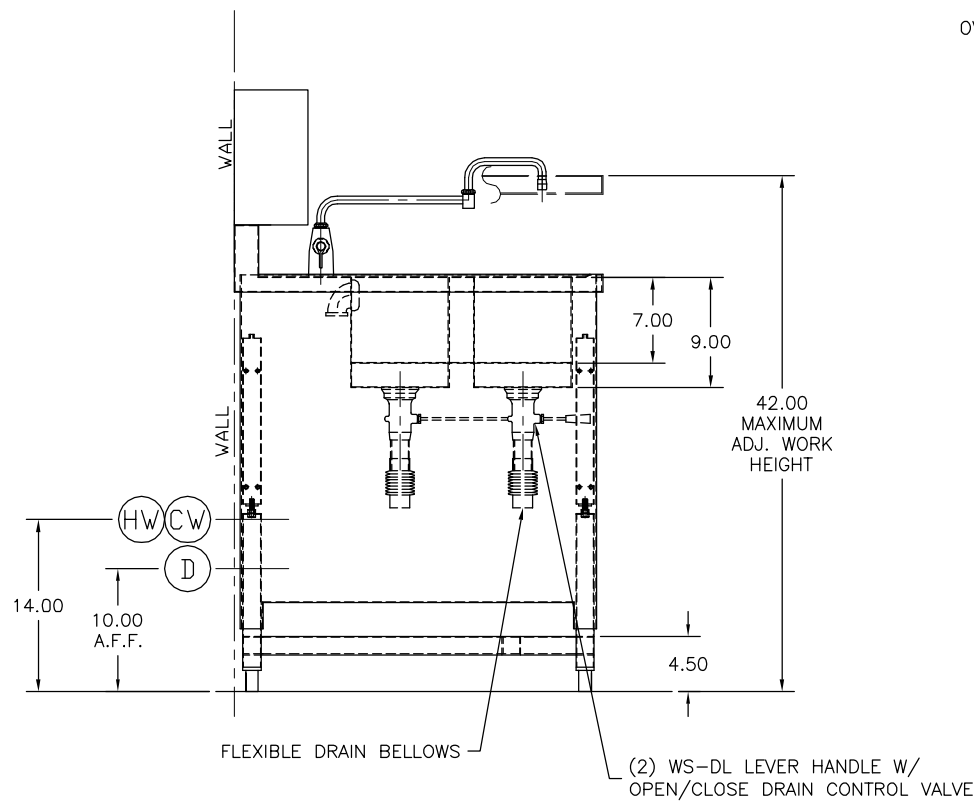


UTILITY REQUIREMENTS

- (CW) — COLD WATER - (4) @ 1/2" NPT
- (HW) — HOT WATER - (3) @ 1/2" NPT
- (D) — DRAIN - (2) @ 1-1/2" NPT
- (E) — ELECTRICAL - 115 V., 1 PH., 60 Hz., 15 AMP



SECTION A-A



FOR APPROVAL ONLY

ONE (1) SET OF APPROVAL PRINTS MUST BE SIGNED AND RETURNED TO TBJ INC. BEFORE EQUIPMENT CAN BE RELEASED FOR PRODUCTION

APPROVED AS DRAWN FOR FABRICATION

NOT APPROVED - REVISE & RESUBMIT FOR FINAL APPROVAL

SIGNED _____

DATE _____

(2) CUSTOM 18.0 x 72.0 x 9.0 DP SCOPE SINK BOWLS

UNLESS OTHERWISE SPECIFIED		-		-	
TOLERANCES IN INCHES:		FRACTIONAL ± 1/32		ANGULAR ± 0°25'	
		ONE DECIMAL ± 0.063		TWO DECIMAL ± 0.031	
		THREE DECIMAL ± 0.015			
LET	REVISION	BY	DATE		
TBJ INCORPORATED	1671 ORCHARD DRIVE CHAMBERSBURG, PA 17201 Phone: (717) 261-9700 www.tbjinc.com				
SCALE	NTS	DRAWN BY	SMH		
REF DWG - R18074		DATE	11-13-18		
PRD. RELEASE	-	-	-	30-96-2TB SPCS-AH SCOPE PROCESSING SINK	
APPR. RELEASE	-	-	-	ROUGH-IN ASSEMBLY	
REVIEWED BY	-	-	-	R18338	
ENG APPR.	-	-	-		