

TBJ Model 30-70-3B-AH SPCS Scope Pre-Cleaning Sink (ref. dwg. R18067)

Product Specification

Product Description

The TBJ Model 30-70-3B-AH SPCS work sink is specifically designed for use in GI Labs and Sterile Processing Departments for the pre-cleaning of flexible endoscopes. The unit includes three sink bowls thus meeting AAMI guidelines for having a minimum of two separate sink basins.....one for manual cleaning and leak testing and one for rinsing of scopes. An integrated Scope Buddy™ Plus Endoscope Flushing Aid with wire management to reduce clutter at the sink is included. The work sink shall have the following configuration and features:

- (3) 22" x 19" x 10 ½" deep sink bowls
- (2) deck-mounted hot/cold faucet with wrist blade handles shall be located between sinks bowls.
- (2) of our unique OPTIONAL Auto Fill Systems are included on each wash sink bowl that allows for automatic, push-button filling of the sink so that users can walk away and multi-task while the sink fills with water..
- The ergonomic, electrically operated hydraulic lift system allows the sink height to be adjusted from 32" to 40" high via a rocker switch control.
- (2) integrated Scope Buddy™ Plus Endoscope Flushing Aids are included
- (3) lever handle drain controls for remote sink draining
- Stainless steel back panel with bin and basket hanging system.
- Overhead canopy with shelf and LED lighting
- Full length, 26" wide undershelf below sink top for storage

Construction/Design

- Heavy duty stainless steel construction
- Type 304 stainless steel sink top, 14 gauge, #4 finish
- Type 304 stainless steel tubular base frame made of 1 ½" square x 16 gauge wall tubing
- Adjustable leveling feet
- Seamless heliarc welded construction
- All exposed welds ground and polished
- 4" high backsplash extending the length of the sink top
- NSF approved 14 gauge sink bowls with cove corners
- 1/8" high marine edge on around front and sides
- Hospital grade, chrome plated brass faucets and fixtures
- Lever handle drain controls
- Sink bowl sizes and overall dimensions can be customized around your specific needs.
- A wide variety of optional features are available to add to the base unit. See partial list of optional features listed below.



Dimensions:

The 30-70-2B-AH is 30" Wide x 70" long. The ergonomic height adjustment feature allows the sink top to be adjustable between 32" and 40" High. The sink bowls are a spacious 22" Wide x 19" Long x 10 ½" deep and include lever handle drain controls.

Sink Fixtures

Hot/Cold water faucets – (1) chrome plated, deck mounted hot/cold water faucet with wrist blade handles. Fixtures are pre-piped to threaded valves for ease of connection to building utilities on site.

Scope Buddy™ Plus Endoscope Flushing Aid – Designed to facilitate the flushing of rinse water, air and detergent solutions through the channels of flexible, immersible endoscopes during the manual cleaning process of endoscope reprocessing prior to the subsequent high-level disinfection or sterilization process.

Automatic Sink Bowl Filling System – The auto-fill system includes an ON/OFF switch, timer to pre-set fill duration, a level control sensor and push-button fill control. The system will automatically fill the same volume of water cycle after cycle.

Enzymatic Dosing System – The enzymatic dosing system enables you to pre-program (2) different dosing levels. It includes water temperature monitoring, soak timer and "Check Detergent Supply" alarm when detergent supply is empty..

ELECTRICAL

The sink unit is completely pre-wired to an integral breaker box with a 6-foot hospital grade plug.

Installation and Assembly

TBJ work sinks are shipped fully assembled, for quick and easy setup. Standard and optional fixtures are shipped installed and ready for use after installation of the sink. Fixtures are pre-piped ready for connection to in-house utilities on site.

WORK SINK OPTIONS



Push-Button
Height Adjustment



Selecta Air &
Water Pistols



Etched Gallon
Markings



Integrated Scope Buddy™
Plus Flushing Aid



Hot/Cold spray rinse
Faucet combination



Custom Sink Bowl Sizes



Built-in Cabinets
and Drawers



Custom back-splashes and
Side-splashes



Full width under shelf

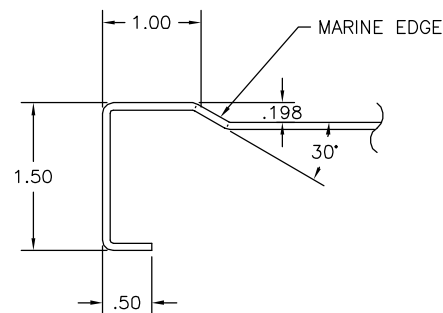


DI and RO water

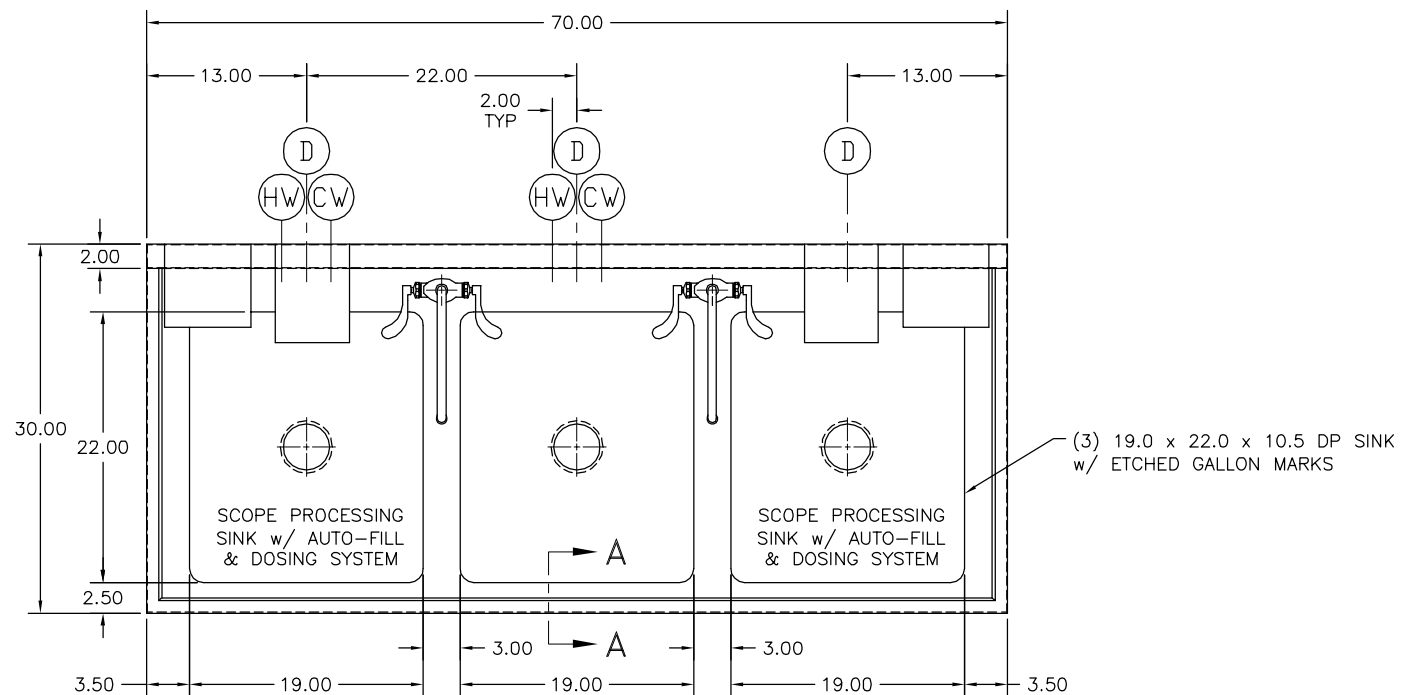
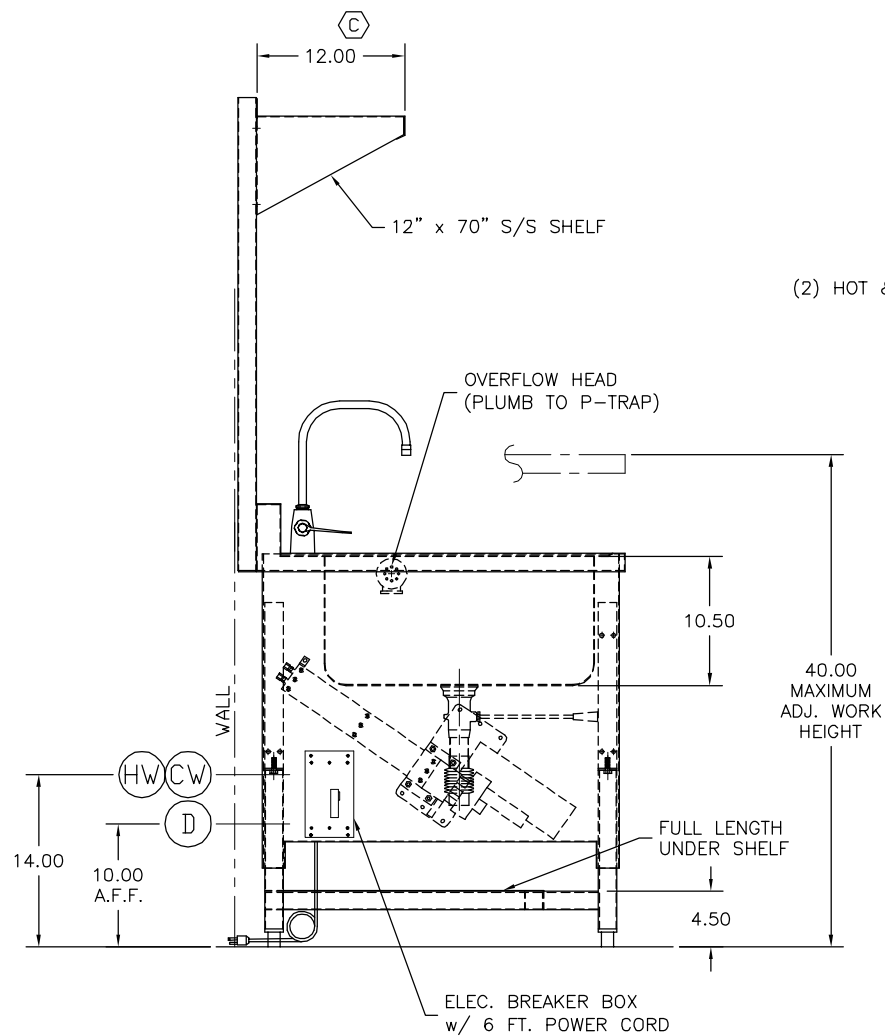
ADDITIONAL OPTIONS NOT SHOWN: Automatic push-button sink filling, Overhead canopy with LED lighting and storage bins, LED task lighting, Water temperature monitoring, Programmable enzymatic dosing, Integrated leak testing.

UTILITY REQUIREMENTS

- Ⓢ CW — COLD WATER - (2) @ 1/2" NPT
- Ⓢ HW — HOT WATER - (2) @ 1/2" NPT
- Ⓢ D — DRAIN - (3) @ 1-1/2" NPT
- Ⓢ E — ELECTRICAL - 115 V., 1 PH., 60 Hz., 15 AMP



SECTION A-A



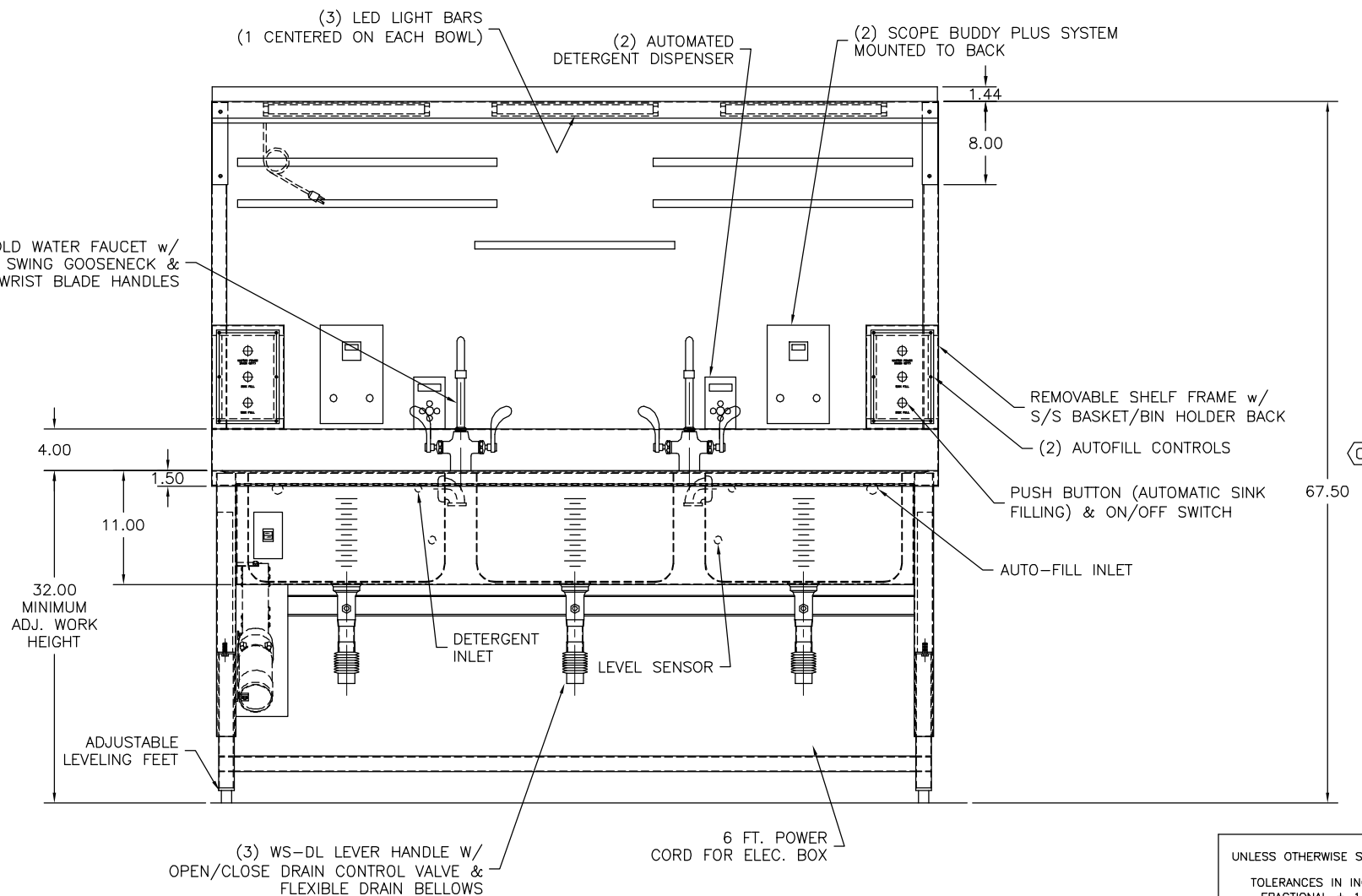
FOR APPROVAL ONLY

ONE (1) SET OF APPROVAL PRINTS MUST BE SIGNED AND RETURNED TO TBJ INC. BEFORE EQUIPMENT CAN BE RELEASED FOR PRODUCTION

- APPROVED AS DRAWN FOR FABRICATION
- NOT APPROVED - REVISE & RESUBMIT FOR FINAL APPROVAL

SIGNED _____

DATE _____



UNLESS OTHERWISE SPECIFIED:
 FRACTIONAL ± 1/32
 ANGULAR ± 0°25'
 ONE DECIMAL ± 0.063
 TWO DECIMAL ± 0.031
 THREE DECIMAL ± 0.015

B	UPDATED PER AS BUILT	SMH	1/16/19
A	UPDATED DESIGN PER CUSTOMER REQUEST	SMH	7/10/18
LET	REVISION	BY	DATE
		1671 ORCHARD DRIVE CHAMBERSBURG, PA 17201 Phone: (717) 261-9700 www.tbjinc.com	
SCALE	NTS	3085-1	DRAWN BY SMH
REF DWG - R17311			DATE 3-9-18
PRDD. RELEASE	-	-	
APPR. RELEASE	-	-	
REVIEWED BY			
ENG APPR.			

30-70-3B SPPS SCOPE PROCESSING SINK
 ROUGH-IN ASSEMBLY R18067